

The MIMIC SO-4 - Sounder is designed to provide notification for several types of faults / unhealthy conditions.

The Sounder tones are high pitched for long distance audibility.

- Input Voltage : 230 VAC / 24VDC
- 4 tones with tone selection
- 110 dB sound level minimum.
- Designed to work for industrial application.
- Tone selection by tone selector
- Plug And Socket for incoming cable.
- Temperature range : -30° C to 60° C



TECHNICAL

Voltage range (VAC / VDC)	230 VAC / 24 VDC
No. of tones	4
Operating Frequency (Hz)	800 - 1000
Operating Temperature (°C)	-30 to 60
Storage Temperature (°C)	-40 to 70
Weight (kg)	1.1
Reverse Polarity Protection	Provided

PERFORMANCE

Version	MIMIC SO-4
Sound output, typical (dB)	110 min.
Sound output, anechoic chamber (dB)	109.5
Sound output, reverberation chamber (dB)	125
Impulse Withstand Voltage	+4500V,3Times For Each Pole(1.2/50µs).
Shock Resistance	490m/s ²
Durability	Over 10000 cycles

BODY

Main Body & other parts	ABS
Mounting Base & Front	Aluminum power coated

TONE DETAILS

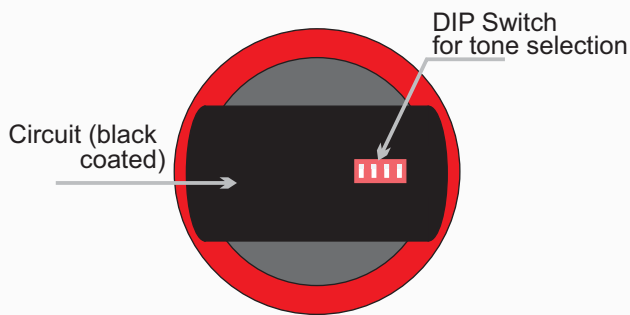
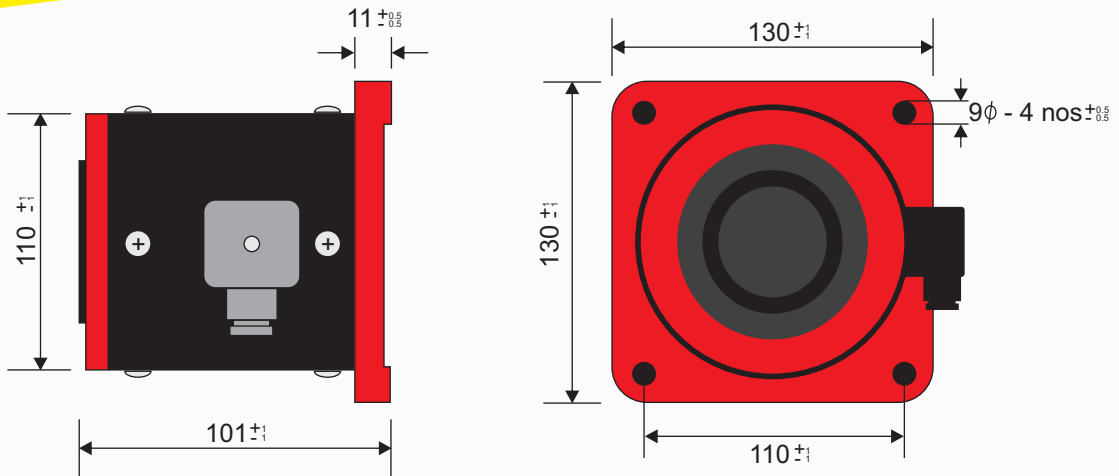
Tone Description	Typical sound output (dB) @ 24VDC	Maximum Current (mA) @ 24VDC
Tone 1 (two tone)	114.7	140
Tone 2 (plain tone)	110.3	140
Tone 3 (wobbling tone)	113.8	140
Tone 4 (rising & wailing tone)	113.9	140

Manufactured by : Steam Airetric Controls

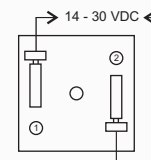
Made in

Steam Airetric Controls

Plot. No. A/34, Additional Ambernath MIDC, Anand Nagar, Ambernath (E),Dist. Thane Maharashtra, India — 421 506.

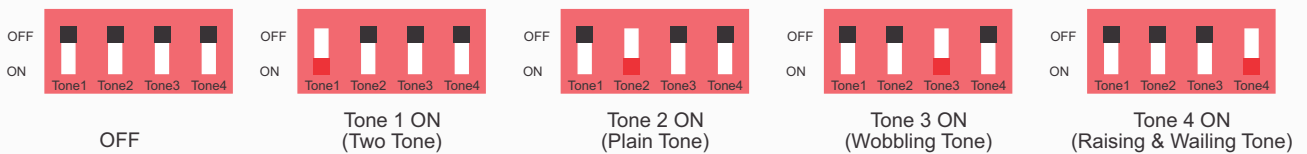


Elcom Socket



Connection Diagram

Tone selection chart



- All Dimensions are in mm
- Dimension for reference purpose.
- Dimension may change without notice, development is continuous process

Manufactured by : Steam Airetric Controls

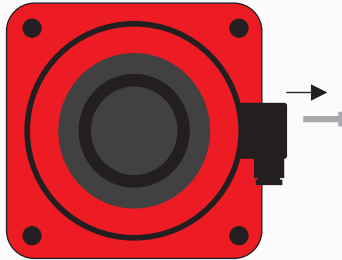
Made in

Steam Airetric Controls

Plot. No. A/34, Additional Ambernath MIDC, Anand Nagar, Ambernath (E), Dist. Thane Maharashtra, India — 421 506.

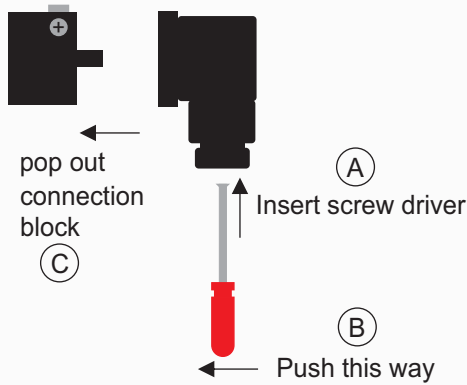


STEP 1



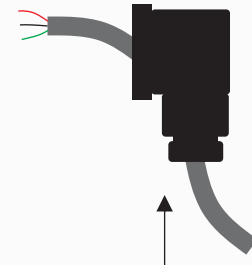
Unscrew Elcom socket

STEP 2



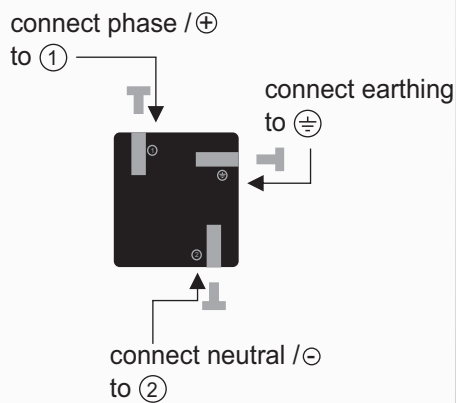
Insert screw driver to pop out internal connection block

STEP 3



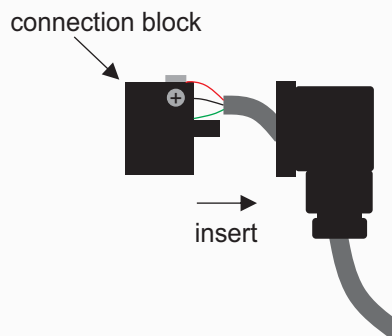
Insert wire

STEP 4

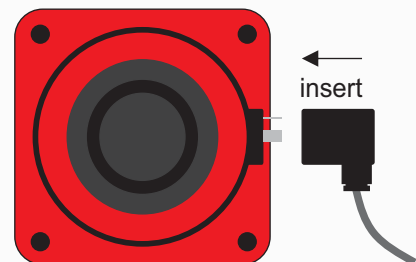


Wire connection

STEP 5



STEP 6



Manufactured by : Steam Airetric Controls

Made in

Steam Airetric Controls

Plot. No. A/34, Additional Ambernath MIDC, Anand Nagar, Ambernath (E), Dist. Thane Maharashtra, India — 421 506.

