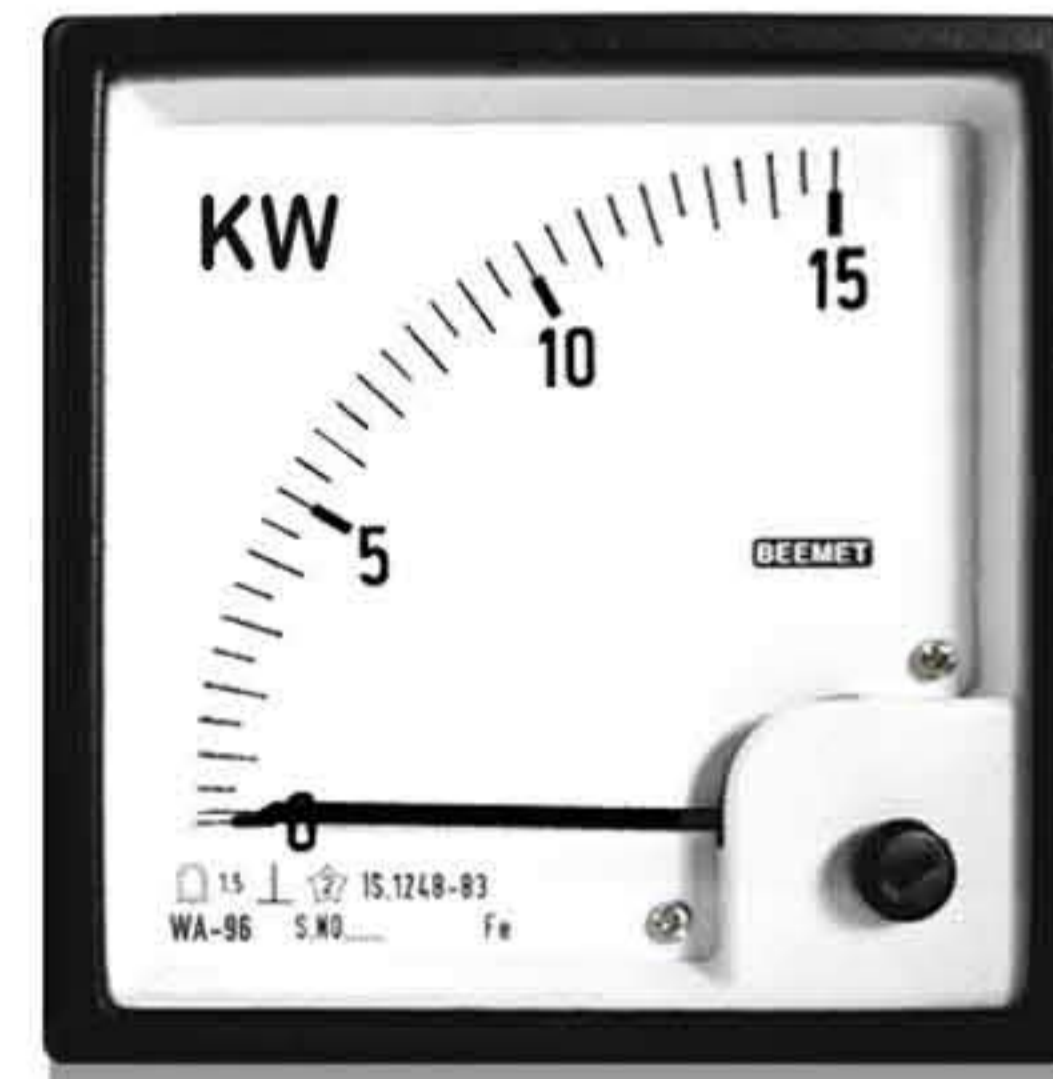


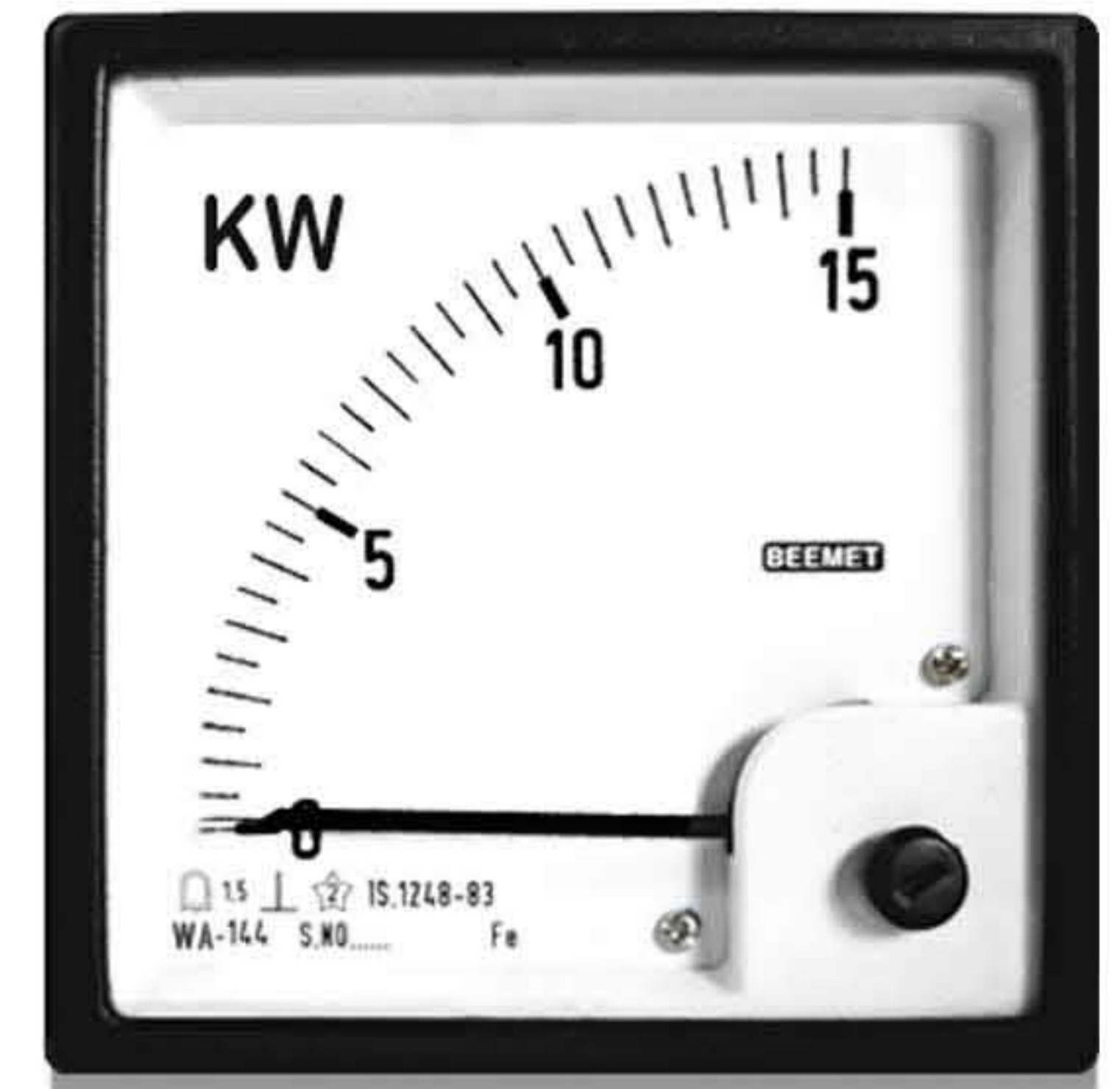
## WATTS METERS WA-96, WA-144

Beemet Watt meters are available in Single Phase, 3-Phase balanced load 3 or 4 wire, and 3-phase unbalanced load 3 or 4 wire configurations. They are used to indicate import – export (reverse – forward) power flow. These can be utilized on both sinusoidal and non-sinusoidal currents.

These meters are designed to an internationally accepted standard. The dimensions comply with the requirements of DIN 43700 and scales with DIN 43802. The performance confirms to IS 1248-83/93. The cases are made of ABS plastic material which has high tracking index for maximum electrical strength and safety.



WA - 96

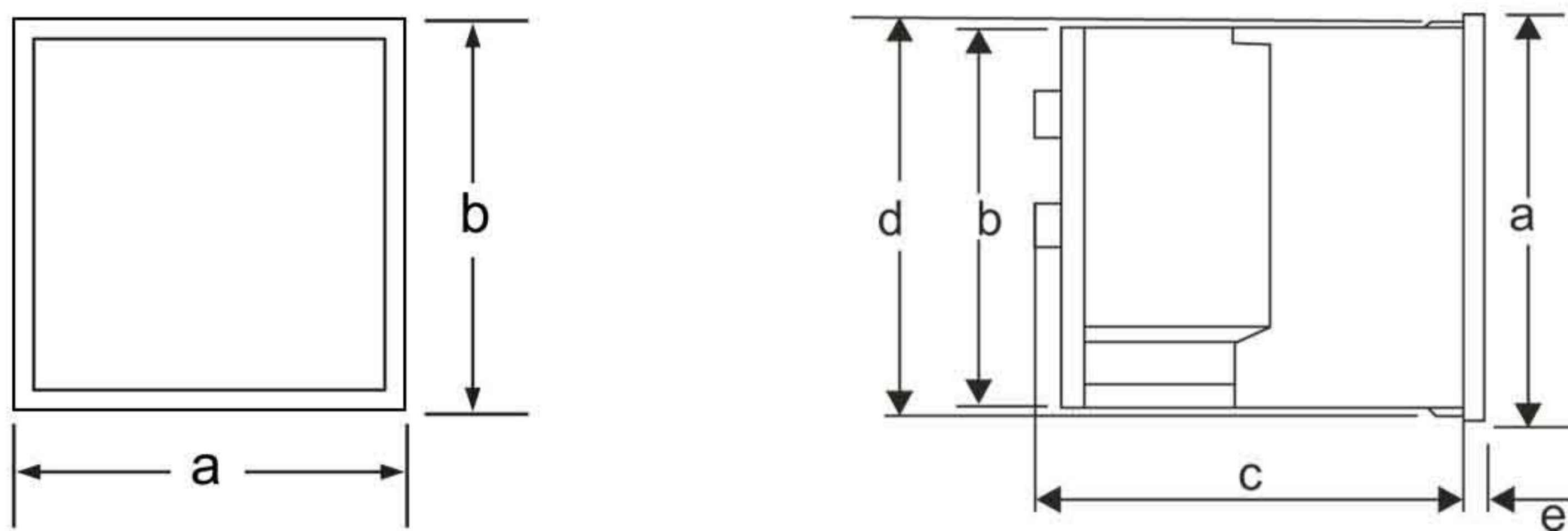


WA -144

### SALIENT FEATURES

- In-built electronic power converter.
- Rugged movement ensures sustained accuracy and reliability.
- Square bezel permits edge to edge mounting, allowing maximum use of panel space.
- Interchangeable dial for range portability.
- Clear scaling for easy reading.
- Specially customised dials.
- Flame retardant case available as per request.

### DIMENSIONS



Model	Dimensions (mm)						Scale Length
	A	B	C	D	E	Panel Cutout	
WA- 96	96	90	106	91.5	5.5	92 X92	97
WA- 144	144	136	106	137.5	5.5	138 X138	146

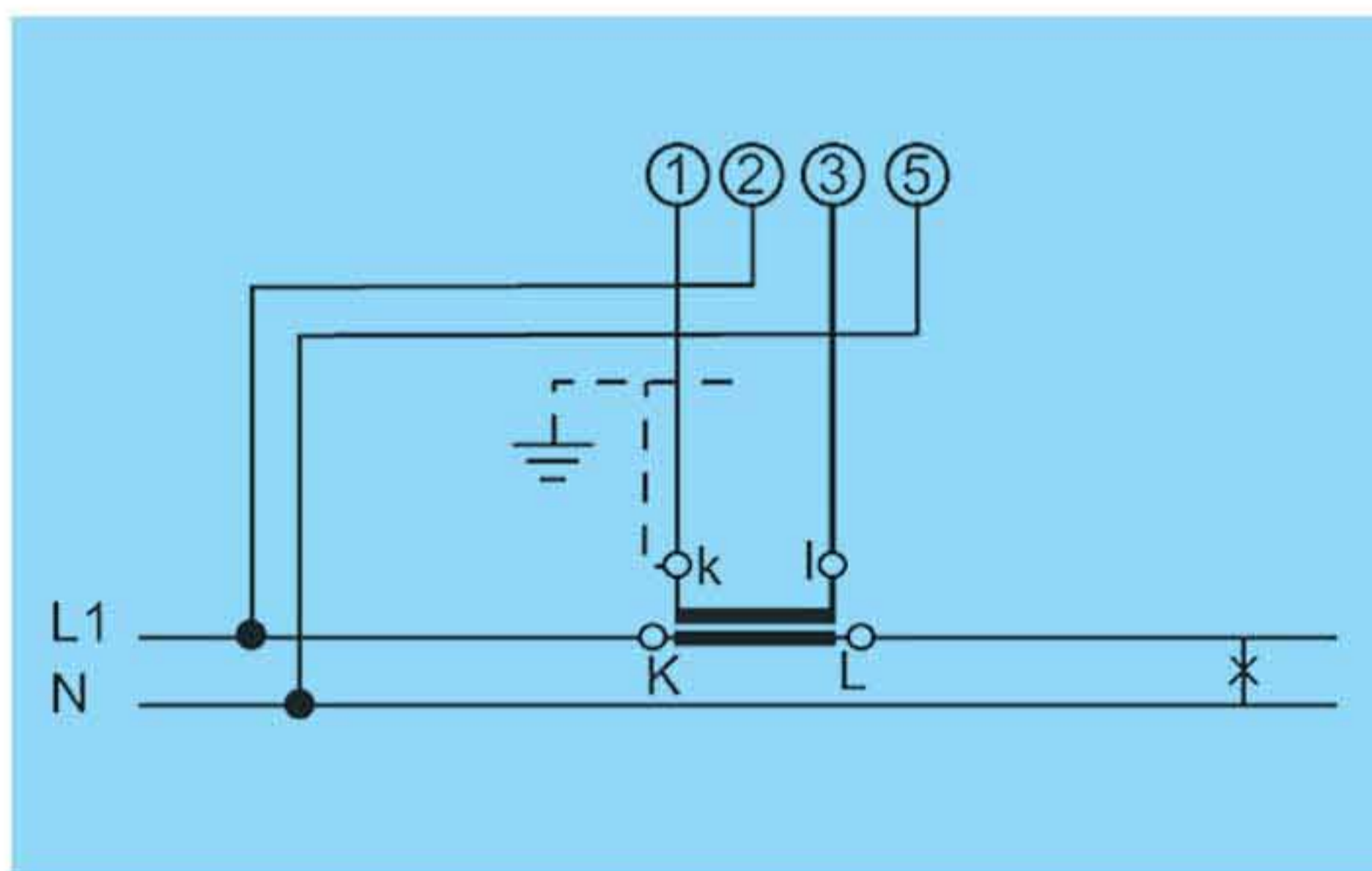
### RANGE CHART

Model	Description	Current ( Amp )	Voltmeter ( volt )
WA - 96, 144	1 Phase 1 Element	1, 5, 10	63.5, 230
WA - 96, 144	3 Phase 1 Element Balanced Load only	1, 5, 10	110, 440
WA - 96, 144	3 Phase 2 Element [3 Wire] Balanced or Unbalanced Load	1, 5	110, 440
WA - 96, 144	3 Phase 3 Element [4 Wire] Balanced or Unbalanced Load	1, 5	110/ 3, 440/3

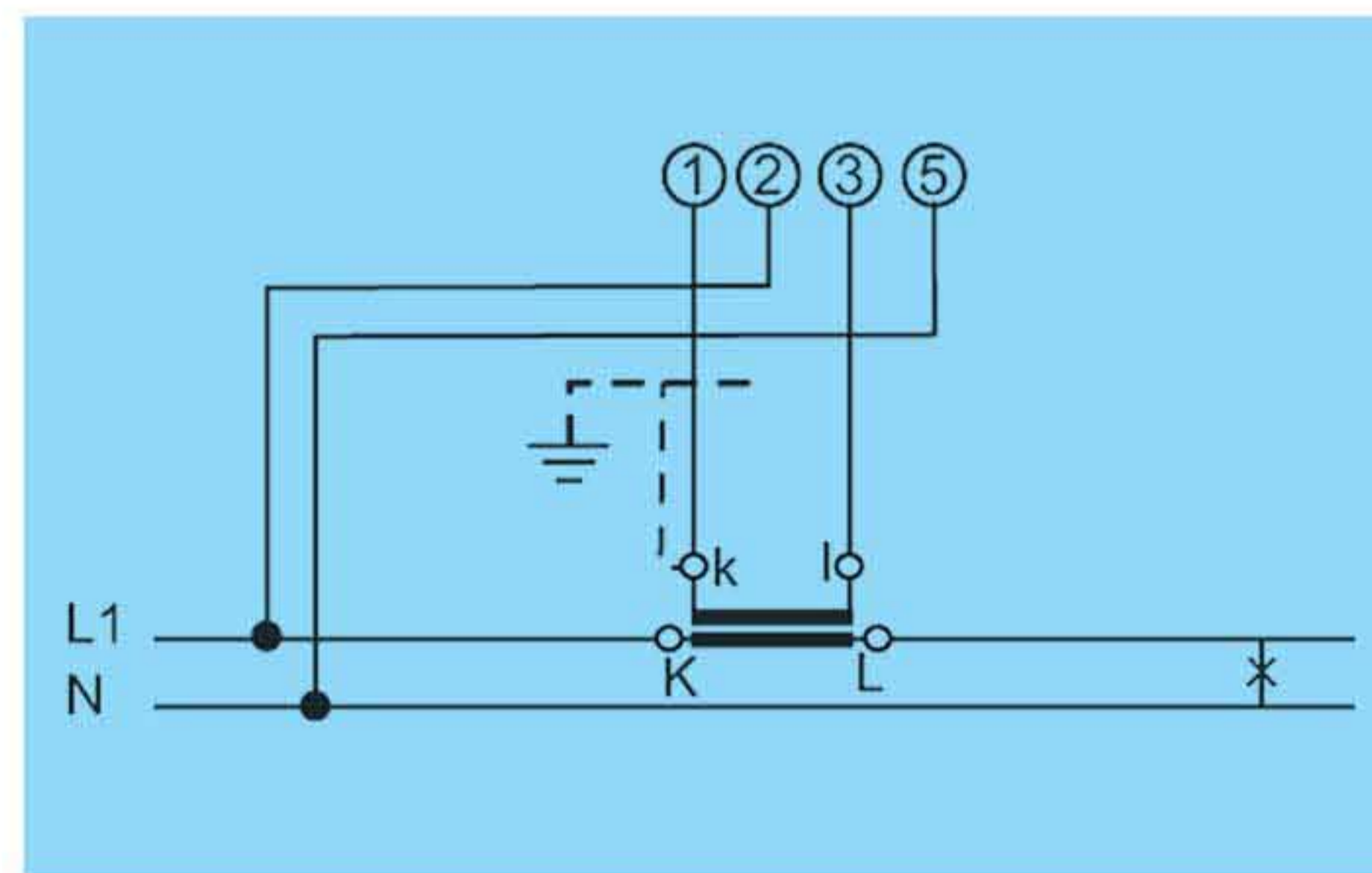
## GENERAL SPECIFICATIONS

Accuracy Class	$\pm 1.5 / 2.0$ of FSD
Measurable quantities	AC Voltage and DC Voltage or Current
Pointer deflection	0 - 90°
Frequency	50/60Hz
Sensitivity	1000 $\Omega/V$ (Voltmeter); 200 $\Omega/V$ (Ammeter)
Overload capacity	According to IS: 1248 / IEC 51
Short duration for voltmeters	2 times for 5s: 1 overload 2 times for 0.5s: 9 overloads
Short duration for ammeters	10 times for 5s: 1 overload 10 times for 5s: 9 overloads
Continuously	1.2 times rated voltage or current
Operating Temperature	-10 to 55°C
Storage Temperature	-25 to 65°C
Relative Humidity	< 75% annual average, non-condensing

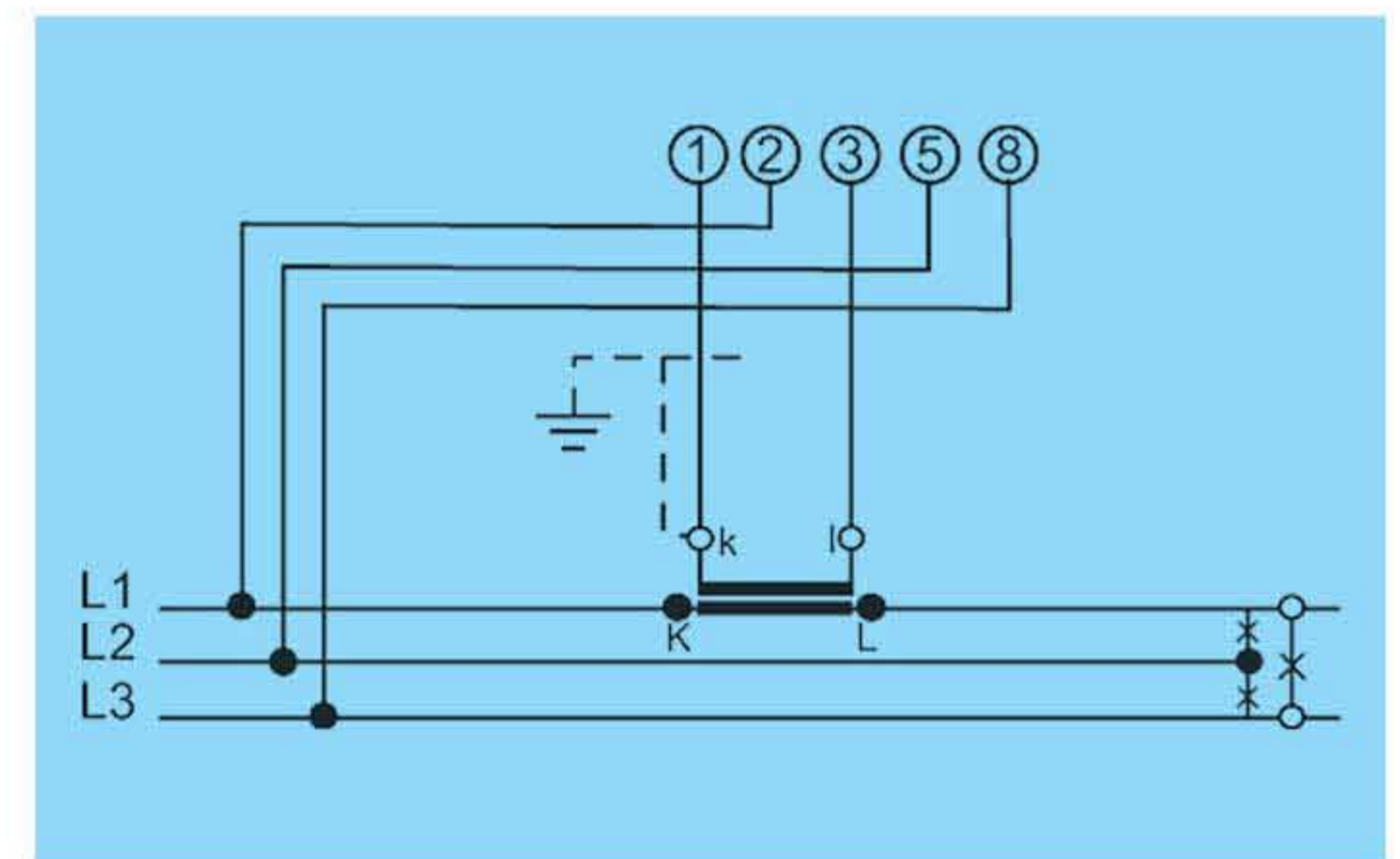
## CONNECTIONS



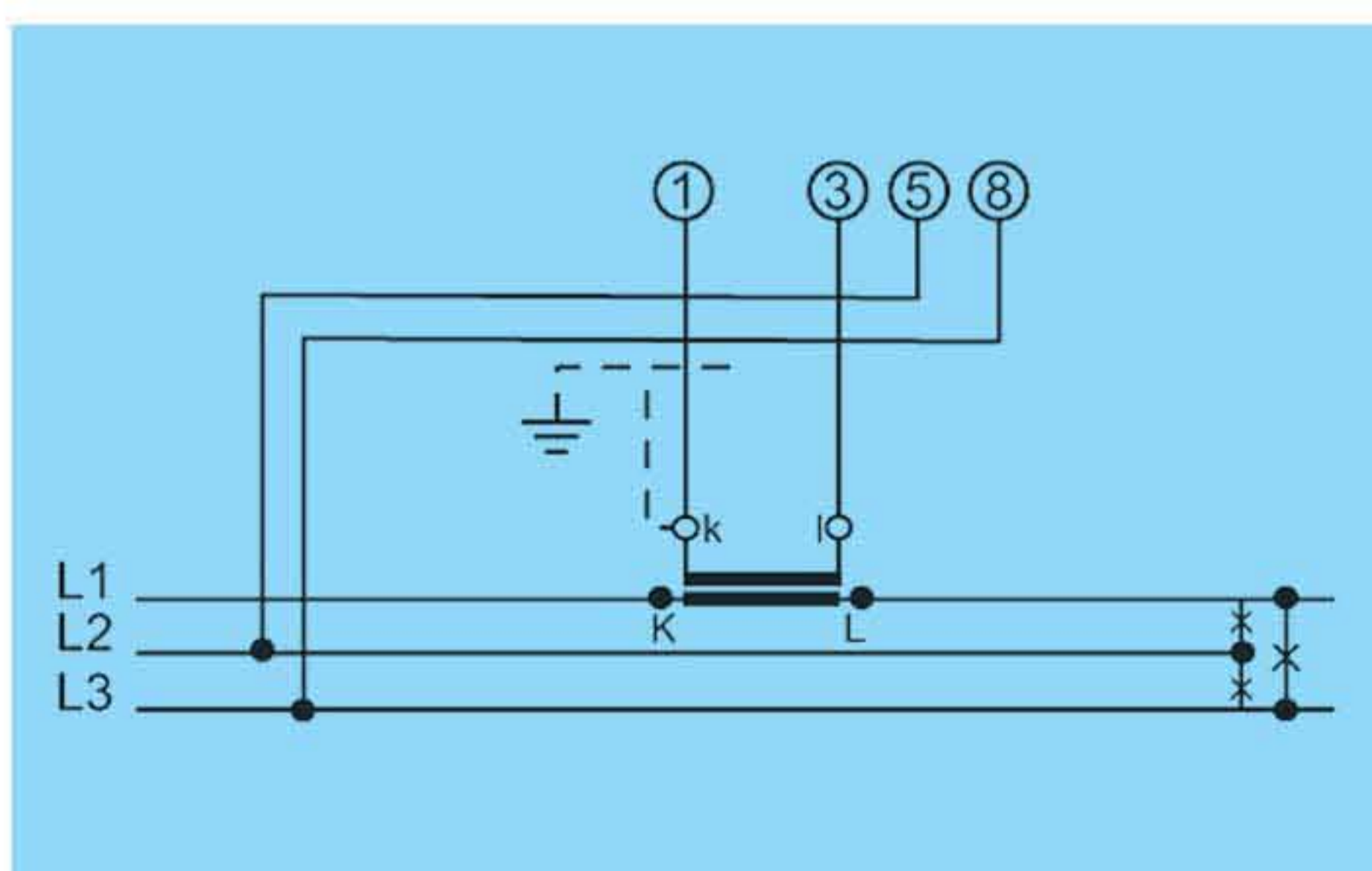
E1W-Single phase(one element)



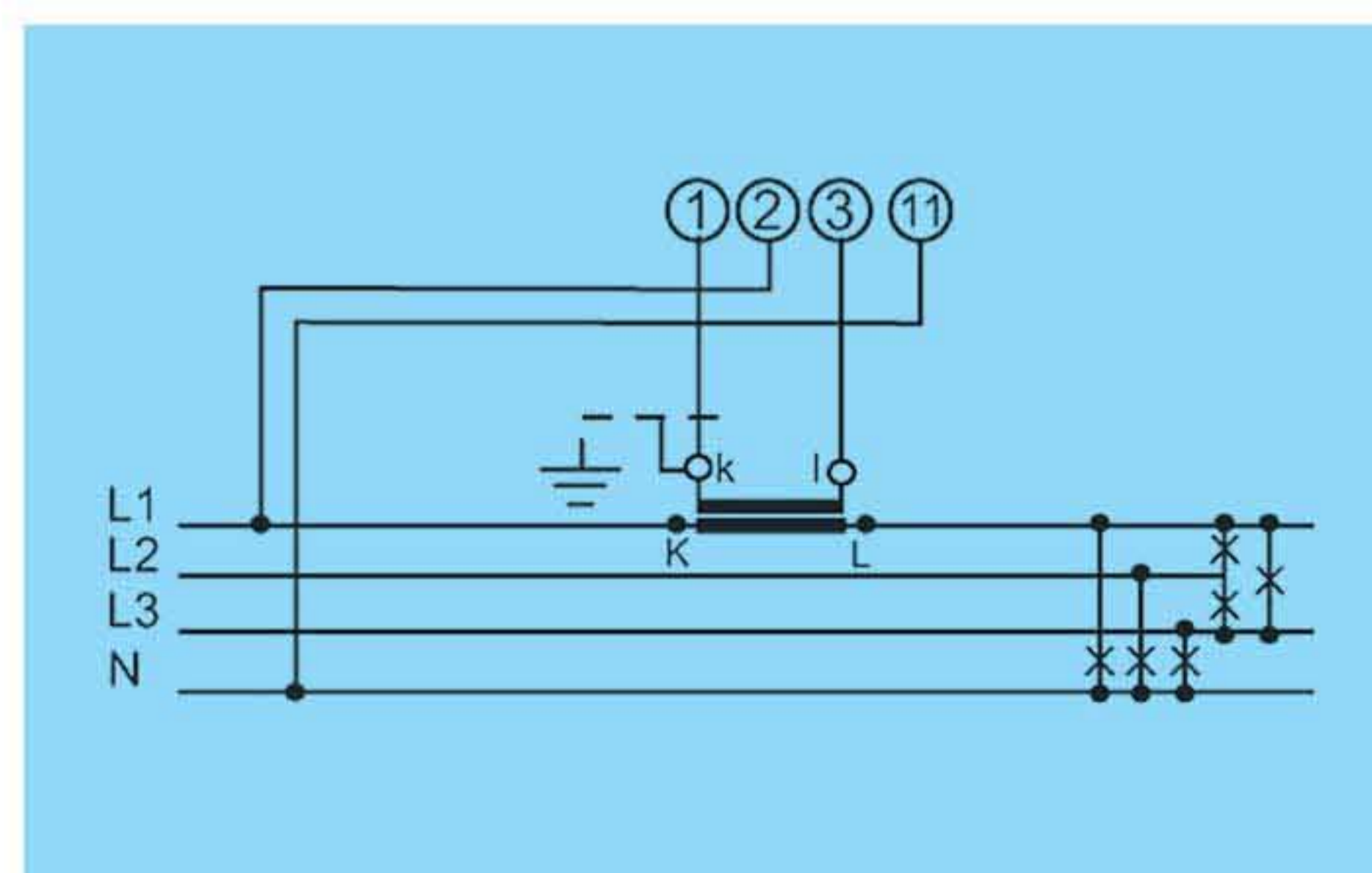
E1B-Single phase(one element)



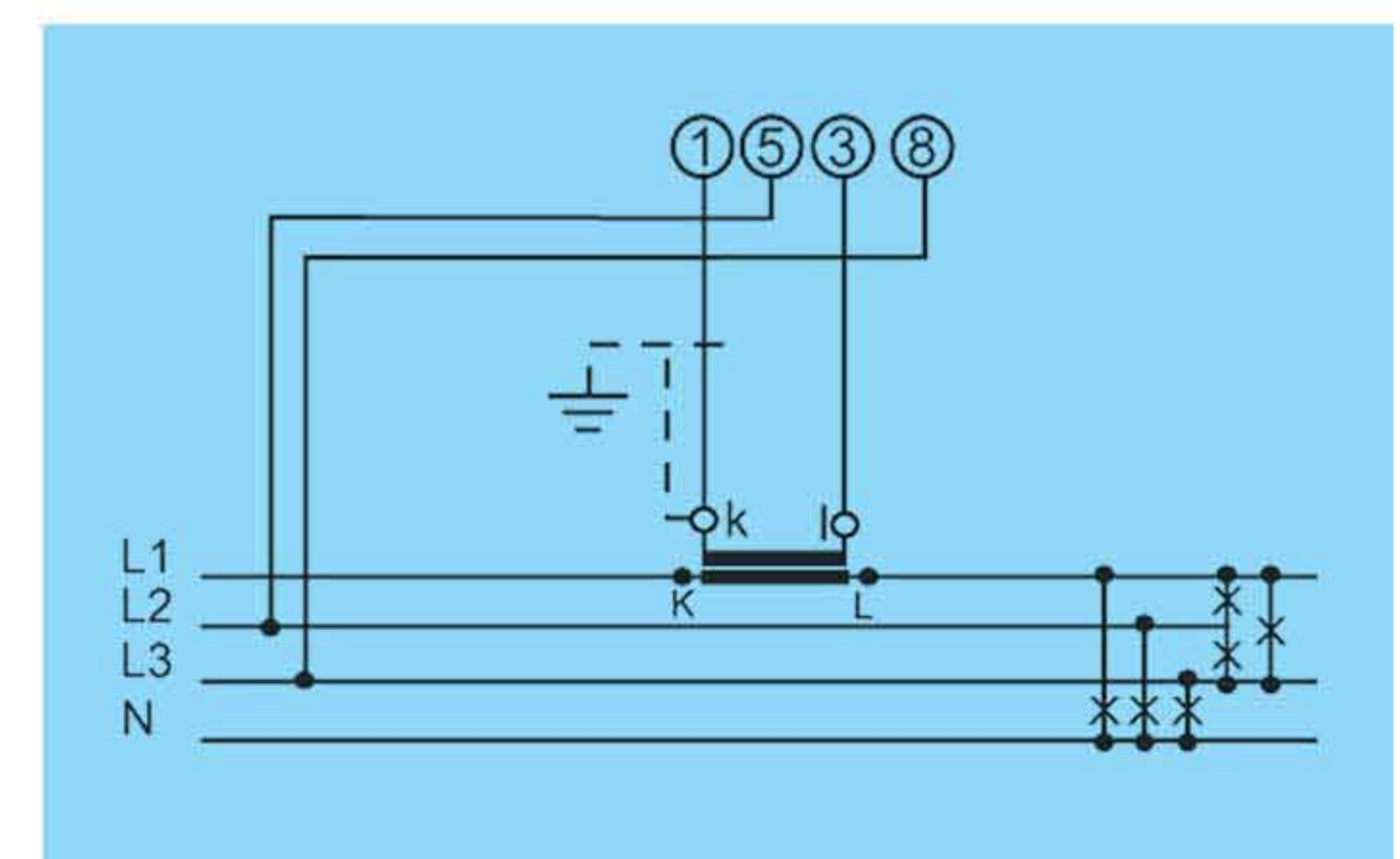
D1W -Three phase, three-wire AC Supply with balanced load(one element )



D1B -Three phase, three-wire AC Supply with balanced load(one element )

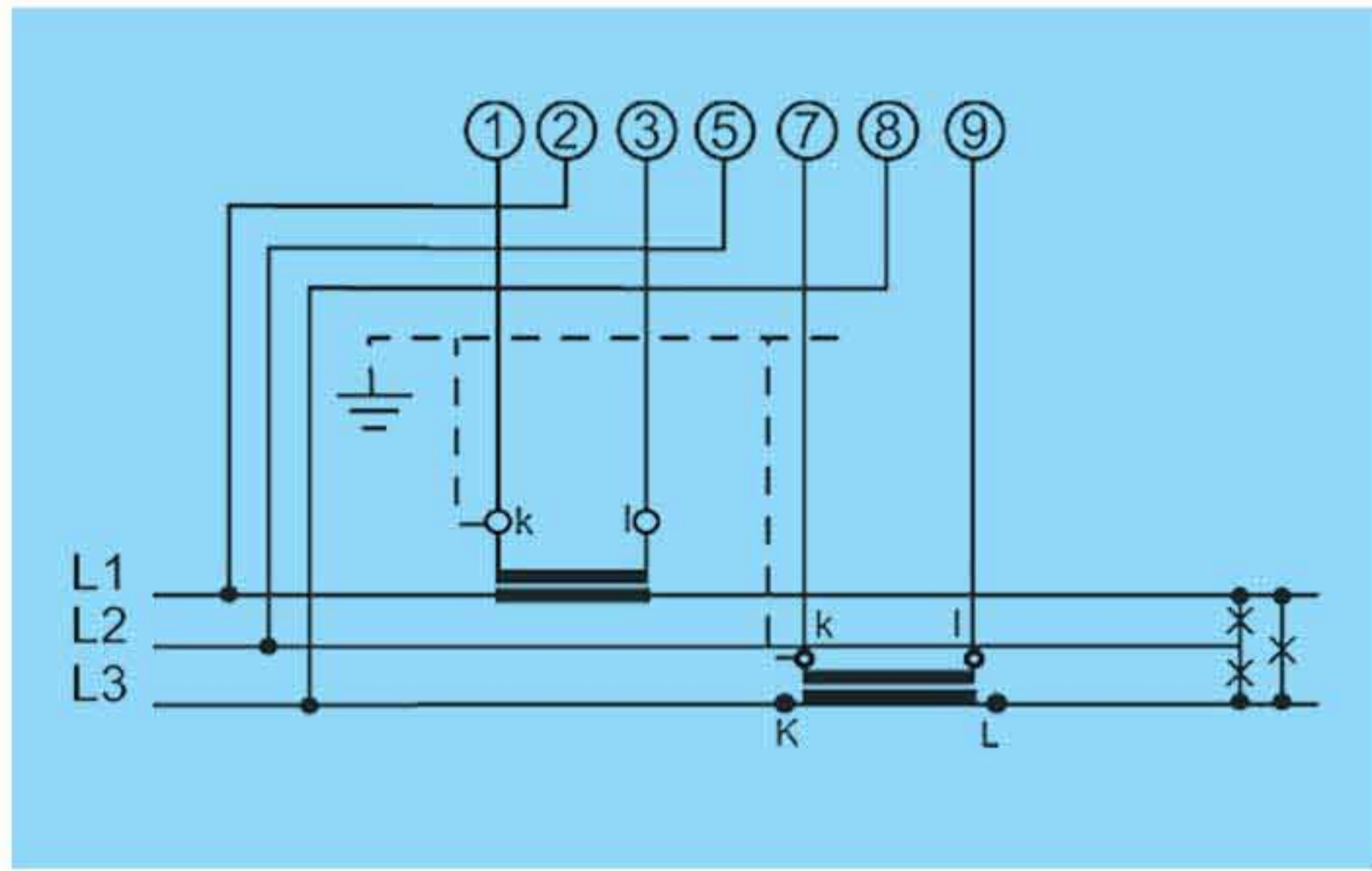


V1W -Three phase, four-wire AC Supply with balanced load(one element)

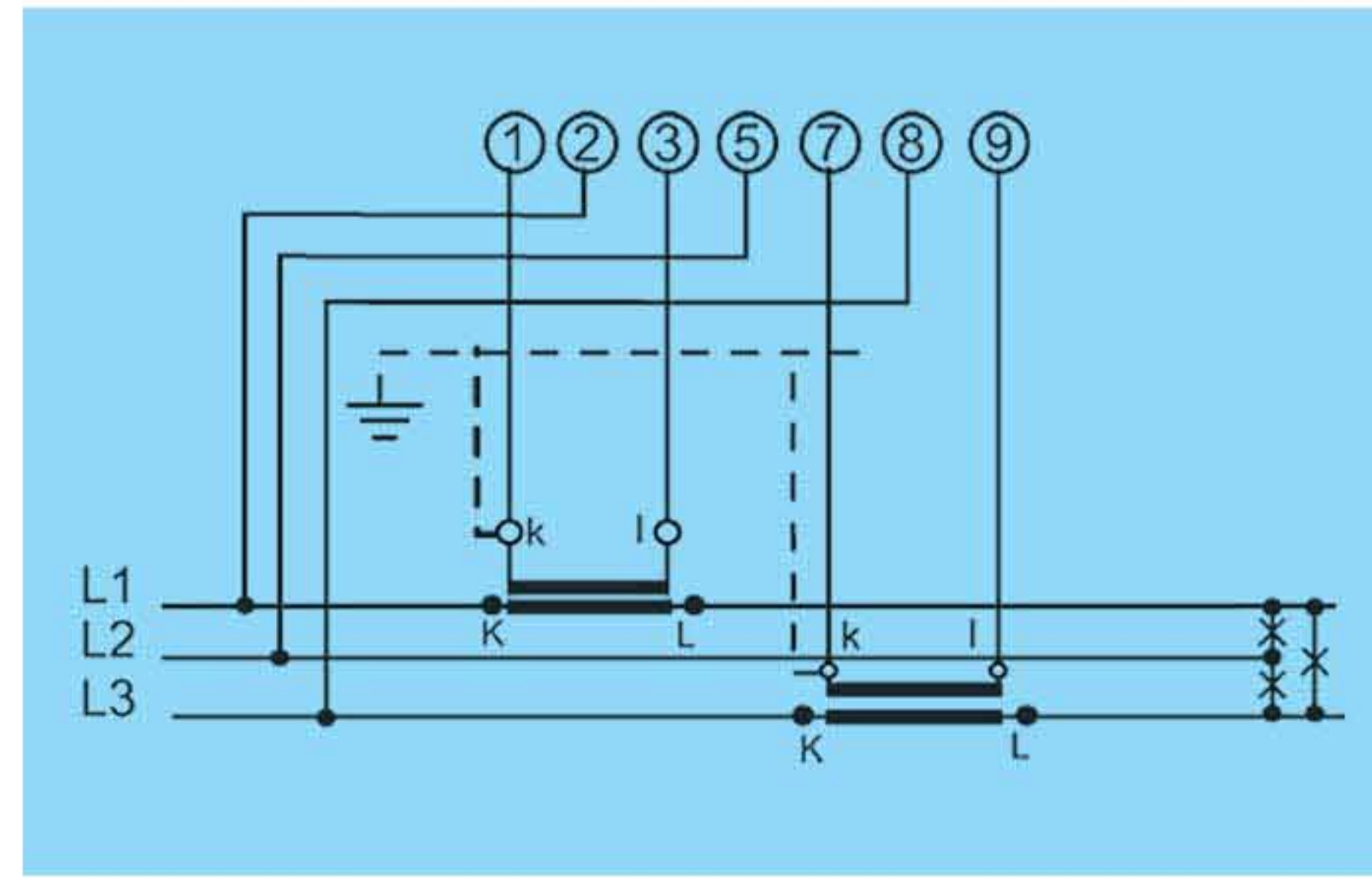


V1B -Three phase, four-wire AC Supply with balanced load(one element)

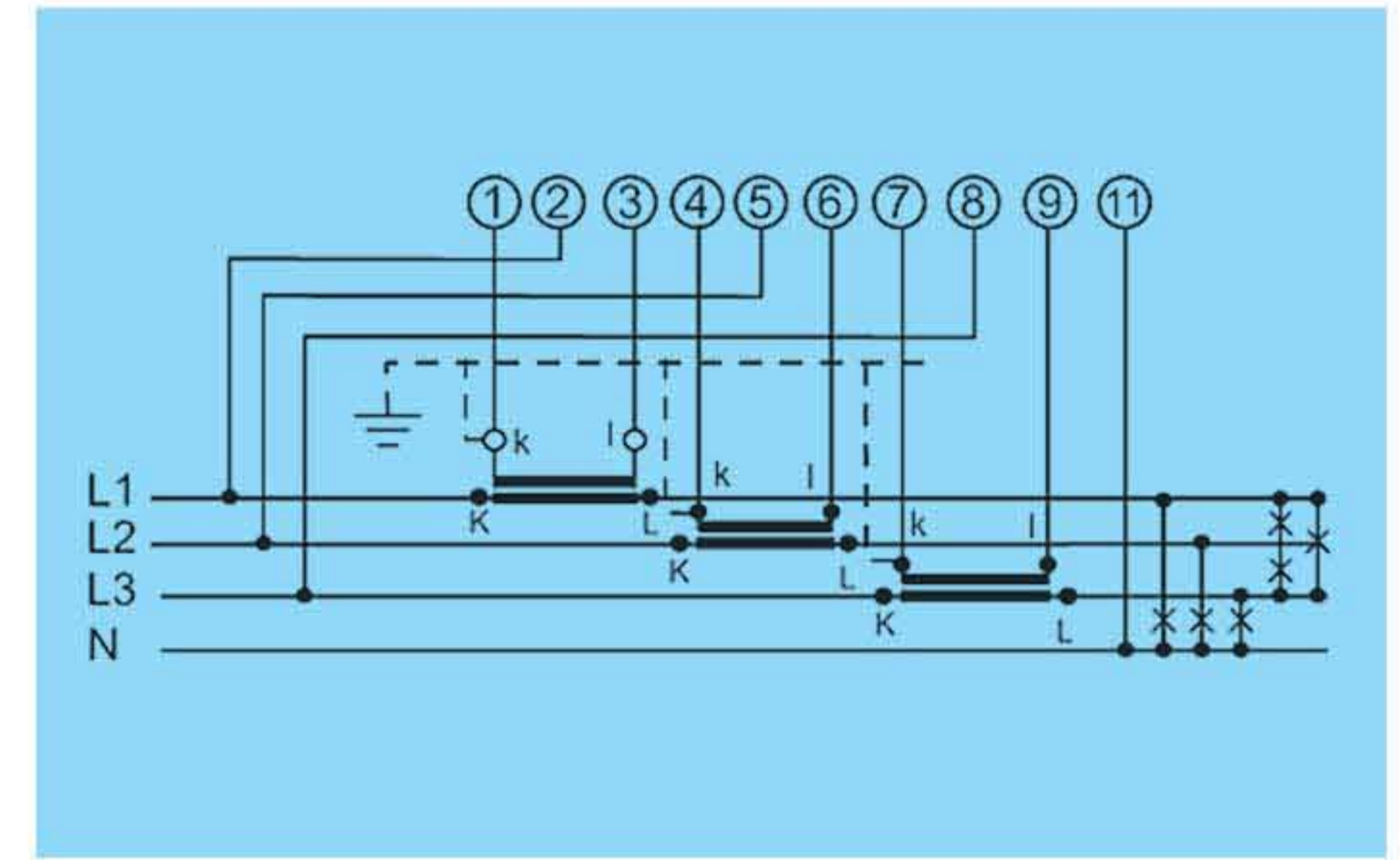
## CONNECTIONS



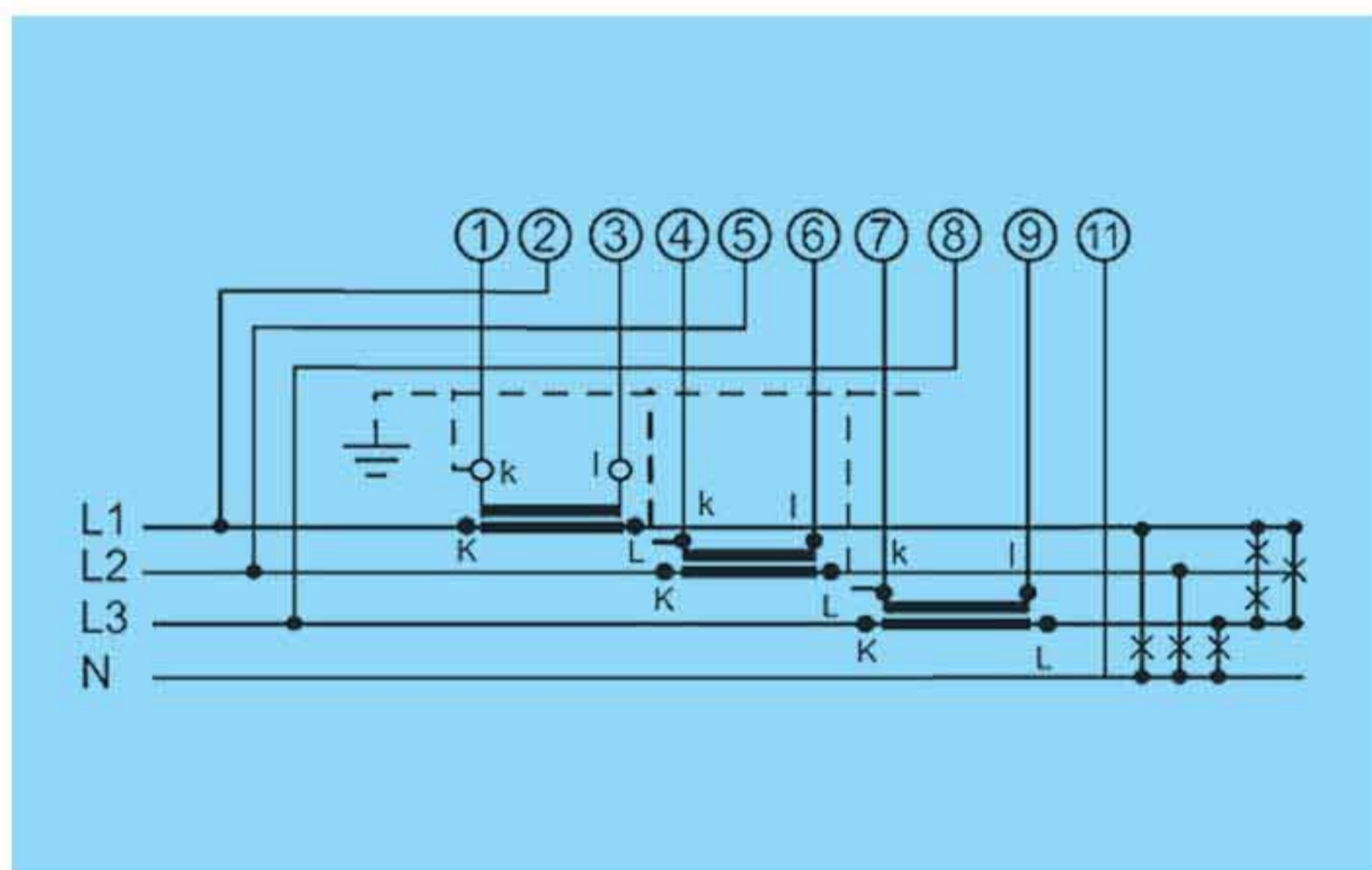
D2W -Three phase, three-wire  
AC Supply with unbalanced load(two element )



D2B -Three phase, three-wire  
AC Supply with unbalanced load(two element)



V3W -Three phase, four-wire  
AC Supply with unbalanced load(three element)



V3B -Three phase, four-wire AC  
Supply with unbalanced load(three element)