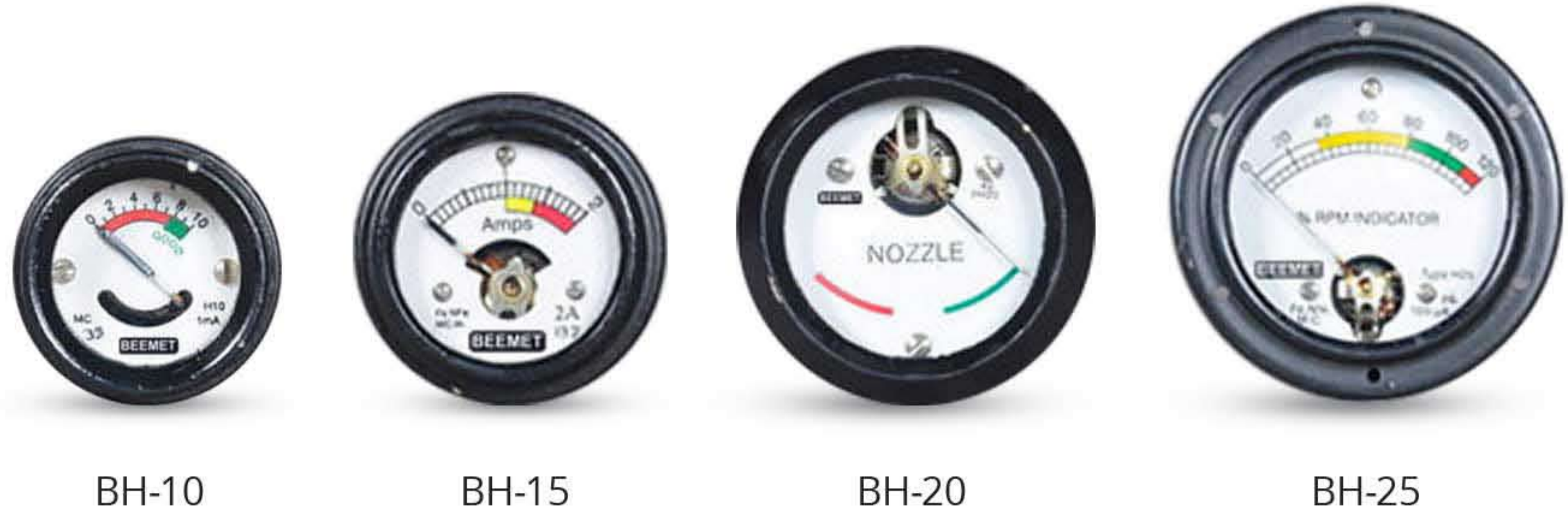


## HERMETICALLY SEALED PANEL METERS

Beemet's Hermetically sealed panel meters are suited for extreme environmental applications such as marine, military and industrial.



BH-10

BH-15

BH-20

BH-25

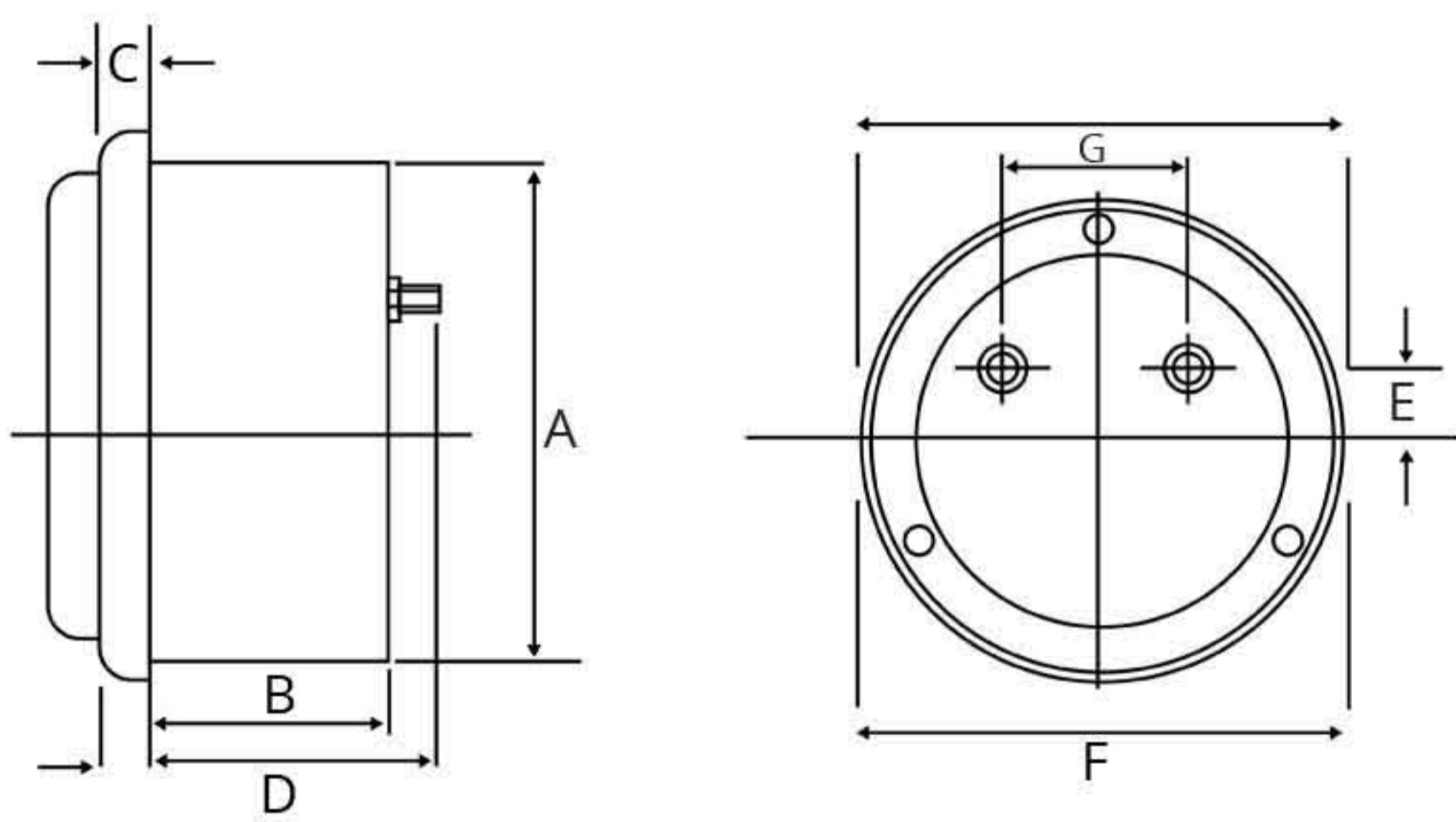
### SALIENT FEATURES

- Hermetically sealed. Manufactured to JSS / MIL specifications.
- Rugged movement ensures sustained accuracy and reliability.
- Vibration resistant.
- Water proof.
- Compact in size.
- High sensitivity.

### RANGE CHART

Type	Model	Ammeter Range	Voltmeter Range	Proof Voltage	Accuracy
DC Moving Coil	BH-10	50 $\mu$ A - 5mA	1V and above with external multiplier	750V AC	$\pm$ 5% of F.S.D.
	BH-15	50 $\mu$ A - 2A	25mv - 1000mV, 1V - 500V	1000V AC	$\pm$ 2.5% of F.S.D.
	BH-20	50 $\mu$ A - 5A	25mv - 1000mV, 1V - 500V	2000V AC	$\pm$ 2.5% of F.S.D.
	BH-25	50 $\mu$ A - 5A	25mv - 1000mV, 1V - 500V	2000V AC	$\pm$ 2.5% of F.S.D.

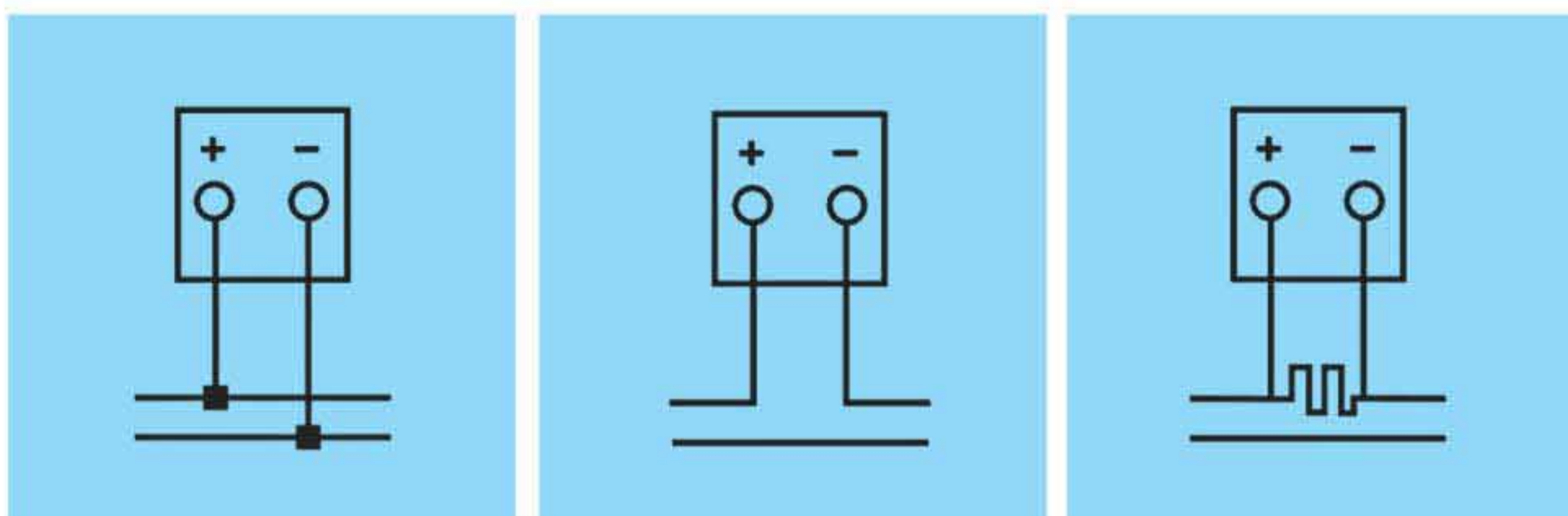
### DIMENSIONS



Model	Dimensions (mm)						
	A	B	C	D	E	F	G
BH-10	25.4	17.07	7.94	32.84	8.6	31.75	16.7
BH-15	35.1	22.5	11.11	30.17	4.8	38.1	15.98
BH-20	51.1	19.0	8.0	31.7	7.9	60.3	15.88
BH-25	66.67	34.53	7.11	44.47	12.70	81.28	34.93

### WIRING DIAGRAM

#### DC Moving Coil Voltmeters and Ammeters:

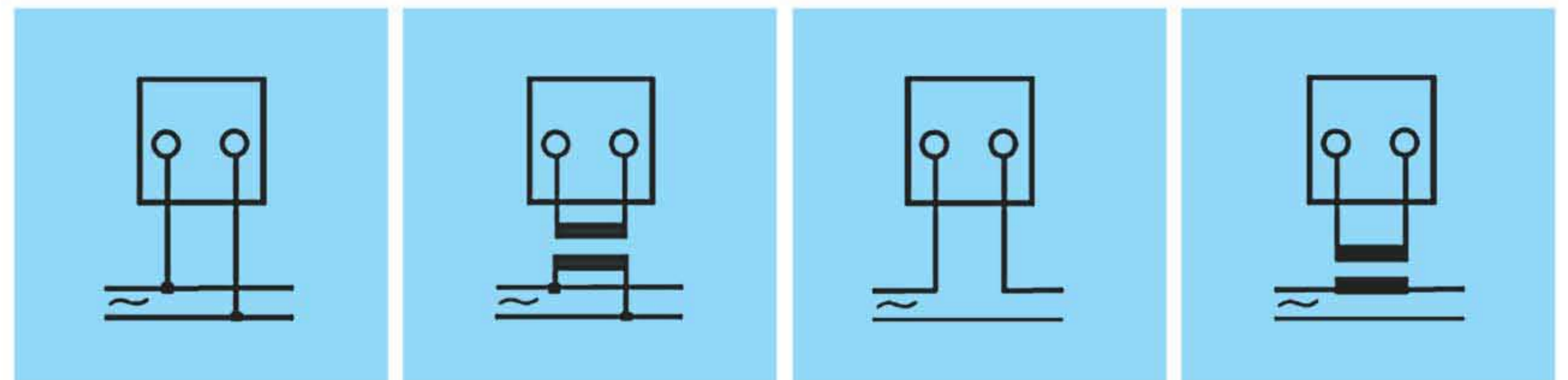


Voltmeter with direct connection

Ammeter with direct connection

Ammeter with shunt

#### AC Moving Coil Voltmeters and Ammeters:



Voltmeter with direct connection

Voltmeter with PT

Ammeter with direct connection

Ammeter with CT