

MULTIFUNCTION METER/POWER ANALYZER PA-96(S), PA- 96

Beemet multifunction meter is designed to reduce panel space, wiring and installation time. Its adjustable range reduces inventory. It is used in wide ranging applications such as control panels, distribution systems, gensets, etc.

SALIENT FEATURES

- Site Programmable CT & PT Ratio
- True RMS Measurement
- Password protection
- Maximum Demand with relay contact
- Optional Features:
 - RS485 computer interface
 - 60A direct current(external CT Module available)
- Harmonic measurement (total and individual)
- Autoranging
- Universal auxiliary supply



PA - 96(s)



PA - 96

MEASURING PARAMETERS

- V_{L-L} (Individual/Average)
- V_{L-N} (Individual/Average)
- Current (Individual/Average)
- Power factor (Individual/Average)
- Frequency
- Power: (Active, Reactive and Apparent)
- Maximum Demand: (kW, kVA)
- Peak maximum Demand:
- Energy (Active, Reactive inductive, Reactivecapacitive, Apparent)
- Run hour (Import, Export and Total)
- Total Harmonic Distortion "upto 31st" order

ADVANTAGES

- To caution on the Extra Energy Consumption
- To identify inefficiency of Machine/Man
- Reduce Panel Space, Wiring, Installation Time

APPLICATIONS

- Control Panel
- Distribution System
- Generator sets
- Motor Control
- Test Bench
- Energy Management
- Process Control & SCADA

DISPLAY

Display	4 rows of 4 digits (For parameter)LED display
Digit Height	0.39" (9.9mm)
Display Scrolling	Automatic/Manual

MECHANICAL SPECIFICATIONS

Mounting	Flush Mounting with Side Clamps
Weight	280 g
Enclosure Material	ABS Thermoplastic

OUTPUT SPECIFICATIONS

Communication	Rs485
Relay Output	1 C/O relay for max demand

SUPPLY VOLTAGE

Auxiliary Supply	90 – 270V AC/DC (±15%)
Frequency	50 / 60Hz

INPUT SPECIFICATIONS

Electrical Connection	3Ø - 4 wire
Input Voltage	0-500 VAC (L-L)/0-300V (L-N)
Input Current	0.015A-6A AC
Frequency	45-65 Hz
Resolution	Energy 0.1 kWh Power factor: 0.001 Frequency: 0.01 Hz Voltage: Autoranging Current: Autoranging Power: Autoranging
Accuracy	Voltage $\pm 0.5\%$ of F.S. Current $\pm 0.5\%$ of F.S. Power Factor $\pm 0.5\%$ of F.S. Frequency $\pm 0.1\%$ of F.S. Power (Active, Reactive and Apparent): 1% Energy (Active, Reactive and Apparent): Class 1
Burden	Voltage: 0.2VA max. per input Current: 0.2VA max. per input Auxiliary Supply: 3VA max.

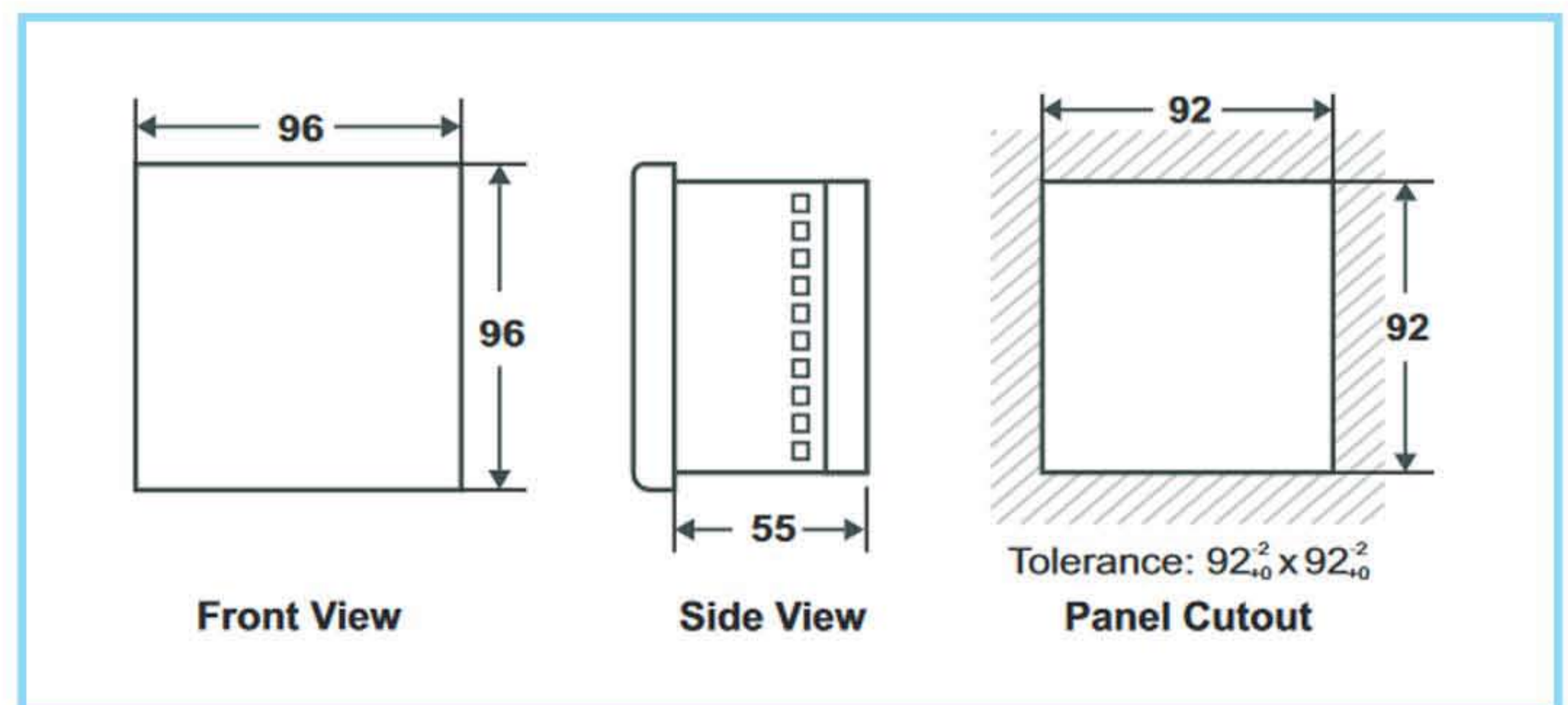
ENVIRONMENTAL SPECIFICATIONS

Temperature	Operating : -10° to 55°C Storage : -20° to 75°C
Humidity	< 95% RH

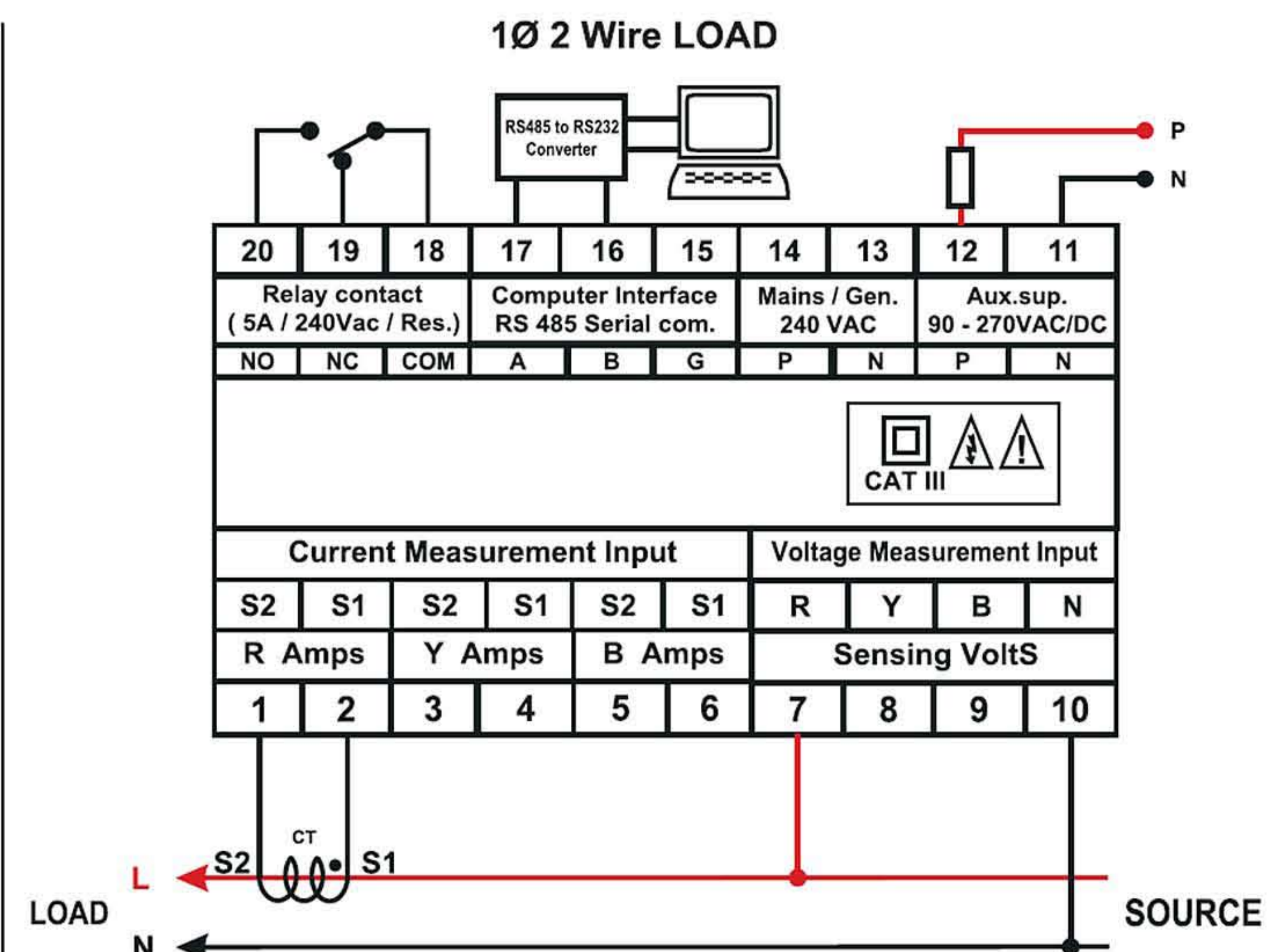
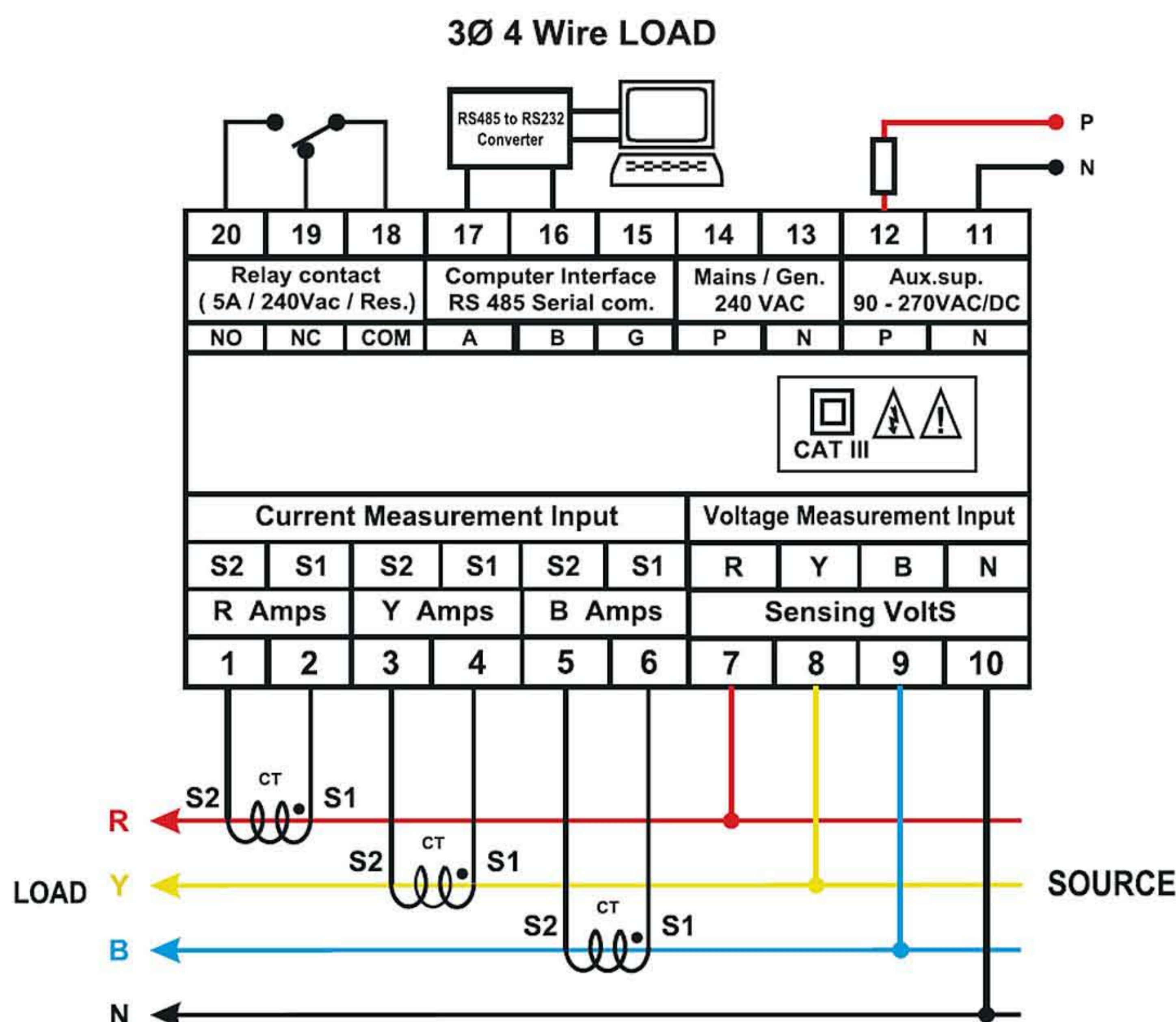
SETTABLE PARAMETERS

C.T. Primary	1/5A to 10000A (Programmable)
C.T. Secondary	1/5A(Programmable)
P.T Ratio	Programmable upto 132 kV
Display Reset	Energy

DIMENSION AND ACCURACY

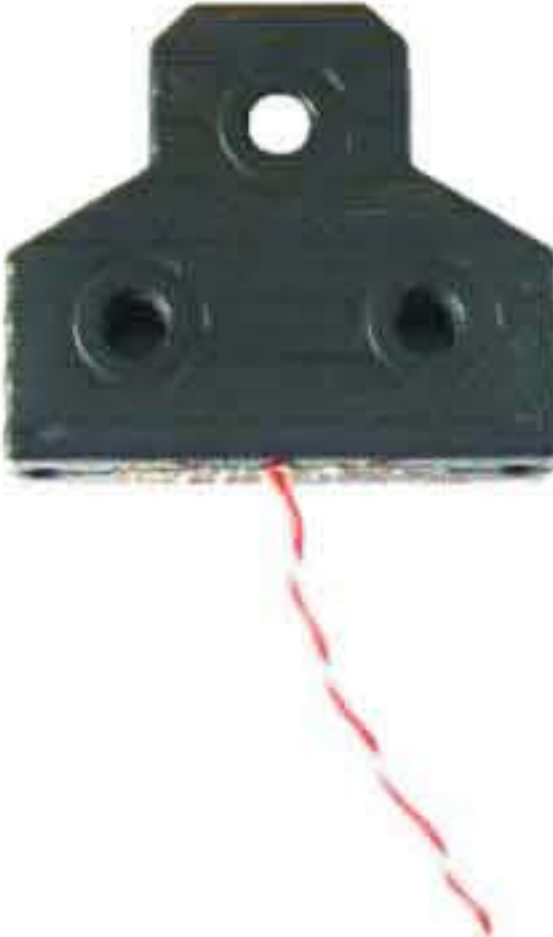
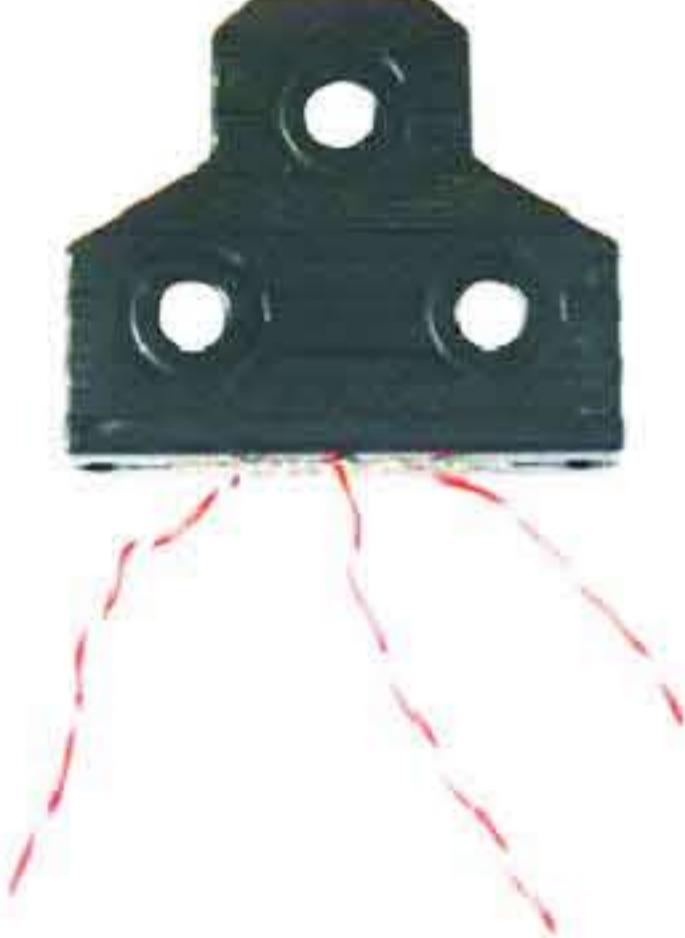


CONNECTION DIAGRAM



ORDERING INFORMATION

Ordering Code	Current Rating	Comm. RS485
PA-96	0-5A, CT Programmable	
PA-96-60A-1P-M	0-60A, external C for 1 phase (M)	
PA-96-60A-1P-N	0-60A, external CT for 1 phase (N)	
PA-96-60A-1P-NX.X	0-60A, external CT for 1 phase (NX.X)	
PA-96-60A-3P-M	0-60A, external CT for 3 phase (M)	
PA-96-60A-3P-N	0-60A, external CT for 3 phase (N)	
PA-96-60A-3P-NX.X	0-60A, external CT for 3 phase (NX.X)	
PA-96-C	0-5A, CT Programmable	✓
PA-96-60A-1P-M-C	0-60A, external CT for 1 phase (M)	✓
PA-96-60A-1P-N-C	0-60A, external CT for 1 phase (N)	✓
PA-96-60A-1P-NX.X-C	0-60A, external CT for 1 phase (NX.X)	✓
PA-96-60A-3P-M-C	0-60A, external CT for 3 phase (M)	✓
PA-96-60A-3P-N-C	0-60A, external CT for 3 phase (N)	✓
PA-96-60A-3P-NX.X-C	0-60A, external CT for 3 phase (NX.X)	✓

Accessories		
Description	Code	Photo
for external CT of 60A programmed for single phase	60A-1P	
for external CT of 60A programmed for three phase	60A-3P	

Preference of Accessories

The above module to be mounted behind the meter	M
The above module to be supplied with 1 meter long Leads	N
The above module to be supplied with long leads (any length on request) *Where X.X is length to be specified for eg. 2.5	NX.X