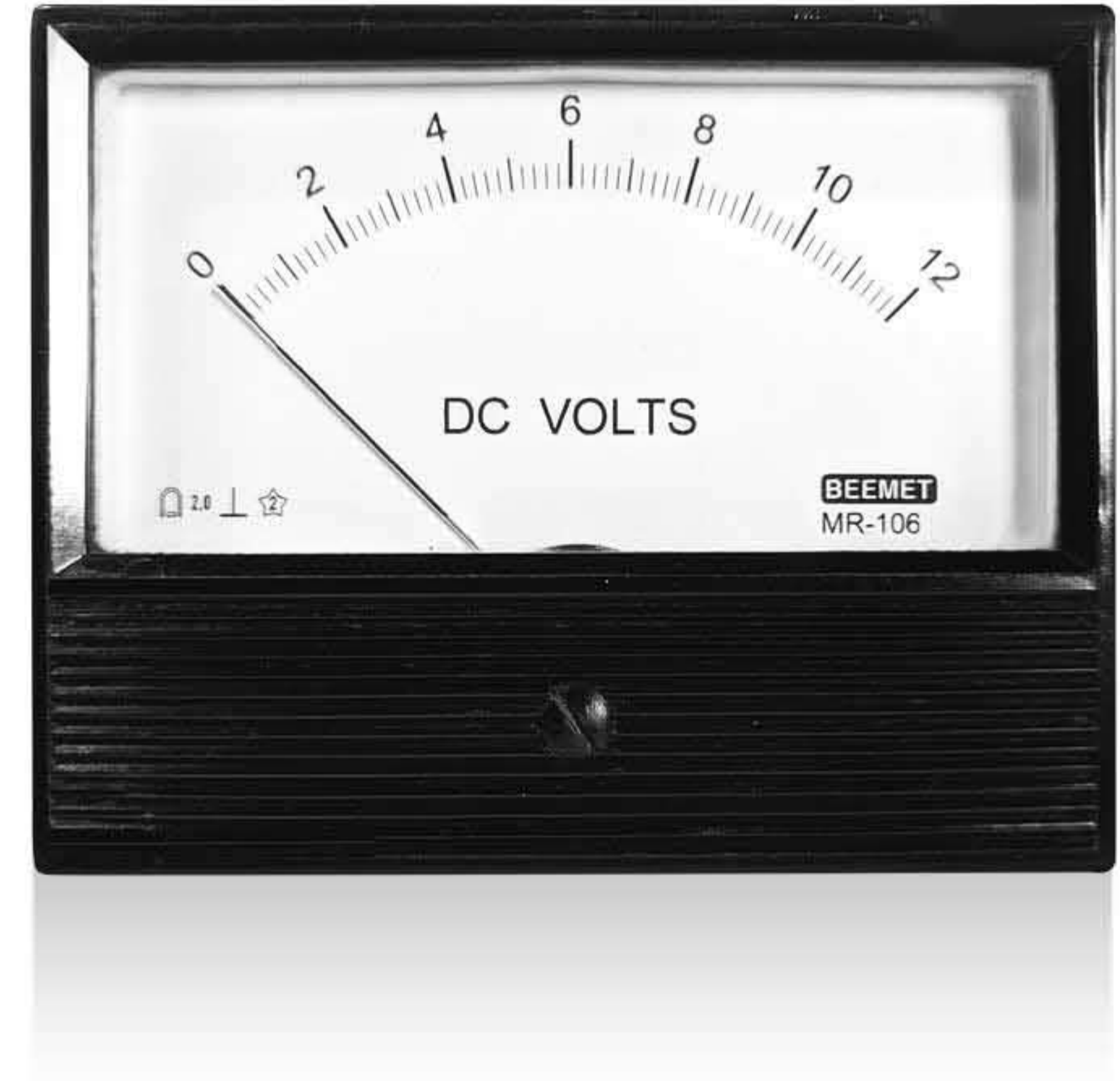


ANALOG DC MOVING COIL (MR-106) / AC MOVING IRON (SR-106) / AC RECTIFIER (CR-106) METERS

Beemet M series meters manufactured in both Moving Coil and Moving Iron type, are designed for wide view with a clear glass front.

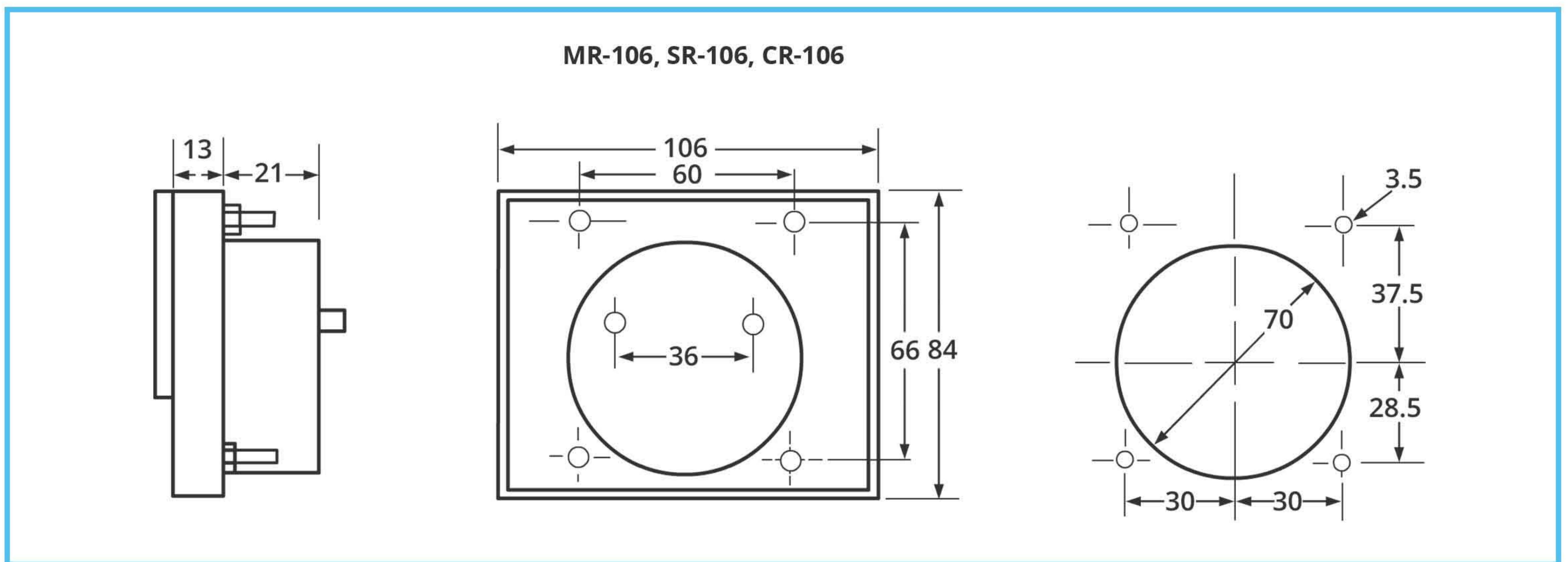
- Powerful and stable Alnico Magnets.
- Polished Carbon Steel Pivots.
- Jewelled Bearings for maximum accuracy.
- Phosphor Bronze Springs.
- Bakelite body with glass front.



SALIENT FEATURES

- Rugged movement ensures sustained accuracy and reliability.
- Clear and well-defined dial markings with knife edge pointer.
- Confirms to IS. 1248-83 standards.

DIMENSIONS



RANGE CHART

Model	Description	Ammeter Range	Voltmeter Range
MR-106	DC Moving Coil	25 μ A - 60A, 1A - 10000A*	10mV - 600V
SR-106	AC Moving Iron	10mA - 100A, 1A - 10000A**	10V - 600V
CR-106	AC Moving Coil Rectifier	1mA - 20A	1V - 600V

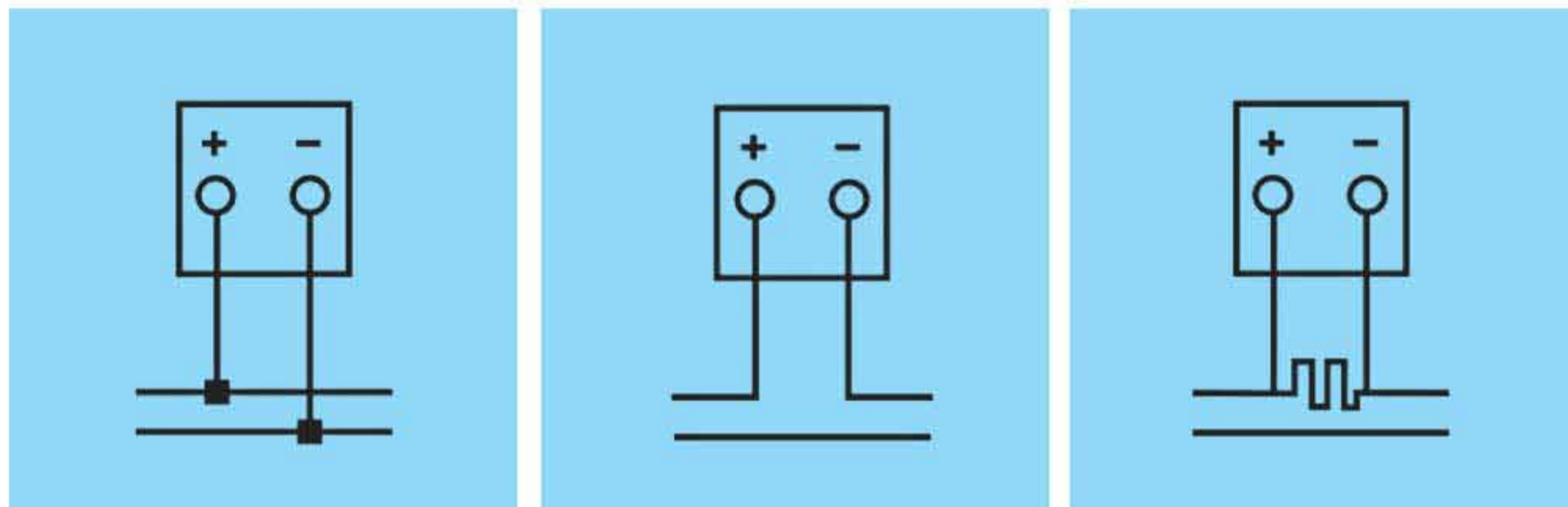
* With external Shunt ** With external CT

GENERAL SPECIFICATIONS

Accuracy Class	$\pm 1.5 / 2.0$ of FSD
Measurable quantities	AC and DC Voltage or Current
Pointer deflection	0 – 90°
Frequency	50/60Hz
Sensitivity	1000 Ω/V (Voltmeter); 200 Ω/V (Ammeter)
Overload capacity	According to IS: 1248 / IEC 51
Short duration for voltmeters	2 times for 5s: 1 overload 2 times for 0.5s: 9 overloads
Short duration for ammeters	10 times for 5s: 1 overload 10 times for 5s: 9 overloads
Continuously	1.2 times rated voltage or current
Operating Temperature	-10 to 55°C
Storage Temperature	-25 to 65°C
Relative Humidity	< 75% annual average, non-condensing

WIRING DIAGRAM

DC Moving Coil Voltmeters and Ammeters:

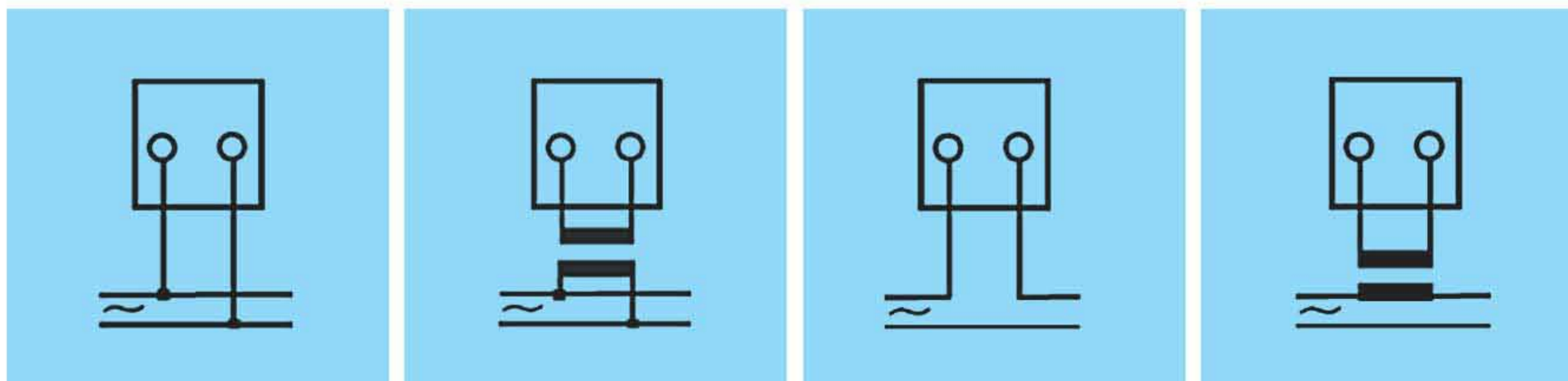


Voltmeter with direct connection

Ammeter with direct connection

Ammeter with shunt

AC Moving Coil Voltmeters and Ammeters:



Voltmeter with direct connection

Voltmeter with PT

Ammeter with direct connection

Ammeter with CT