

MIMIC LED Work Light is useful in maintenance, inspection & confined area lighting, especially where there is no access of power source.

Its rugged design along with waterproof protection, makes it an ideal product for harsh environments.

**Applications :** Repair jobs, maintenance, Railway track inspection & confined area lighting.

- Wattage : 30,50 Watt
- Battery backup : 8/4/2 Hrs @ low / normal / turbo modes
- Charging time : 7.5 Hrs
- IP - 65 weather protection.



## TECHNICAL

Wattage	30, 40, 50, 60 Watt
Lumens	3000 @ 30W 5000 @ 50W
Battery backup	Low mode : 8 Hrs Normal mode : 4 Hrs Turbo mode : 2 Hrs
Battery	Li-ion
Charging time	7.5 Hrs
Protection Rating	IP 65
Weight	1.5 Kg

## PERFORMANCE

Battery voltage	12.8 V
Battery capacity	6AH
Life Cycle	> 80% after 1000cycles, overall 2000cycles
Overcharge Protection, Over-discharge Protection,	
Over current Protection , Battery balancing function	
Charger current	0.8 Amp
Charger type	constant current constant voltage
LED Parameter	1 Watt

## BODY

Main Body	Aluminum pressure die cast
Mounting	Aluminum
Handle	Smooth bend pipe with end flattened
Coating	Epoxy powder coated

## Models

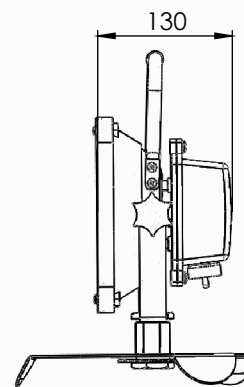
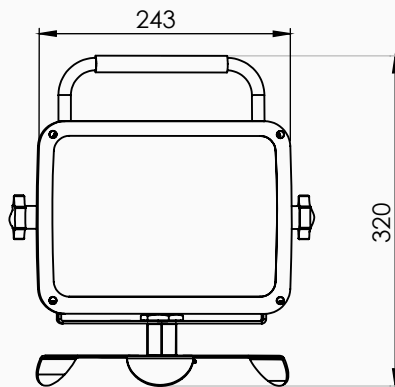
30 Watt	Shakti - 3000
40 Watt	Shakti - 4000
50 Watt	Shakti - 5000
60 Watt	Shakti - 6000

Manufactured by : Steam Airetric Controls

Made in

## Steam Airetric Controls

Plot. No. A/34, Additional Ambarnath MIDC, Anand Nagar, Ambarnath (E), Dist. Thane Maharashtra, India – 421 506.



Glass screen dimension : 240 (L) x 400 (H)



- All Dimensions are in mm
- Dimension for reference purpose.
- Dimension may change without notice, development is continuous process

Manufactured by : Steam Airetric Controls

Made in 

## Steam Airetric Controls

Plot No. A/34, Additional Ambarnath MIDC, Anand Nagar, Ambarnath (E), Dist. Thane  
Maharashtra, India – 421 506.