

# Flameproof Hooter (110 dB)



|                    | SALIENT FEATURES                   |
|--------------------|------------------------------------|
| Aux. Supply        | 230 VAC / 24VDC                    |
| Power Consumption  | 300mA @ 24 VDC & 60mA @ 230 VAC    |
| Audio Range        | 110 dB                             |
| Operating Temp.    | Up to 55°C                         |
| Humidity           | 90% at 40°C                        |
| Enclosure          | LM 6, Aluminum                     |
| Weather Protection | IP 65                              |
| Coating            | Powder coated                      |
| Dimension          | As per drawing                     |
| Applications       | Hazardous area                     |
| Gas group          | IIA, IIB & IIC, Zone 1 & Zone 2    |
| Weight             | 6 to 7 Kg approx.                  |
| Terminals          | Up to 2.5 Sqmm                     |
| Cable Entry        | Max 3 Nos. 3/4" ET                 |
| Mounting           | Wall mounting / slab mounting type |
| FLASHER            | OPTIONAL (LED Type)                |

## Flameproof Instrumentation

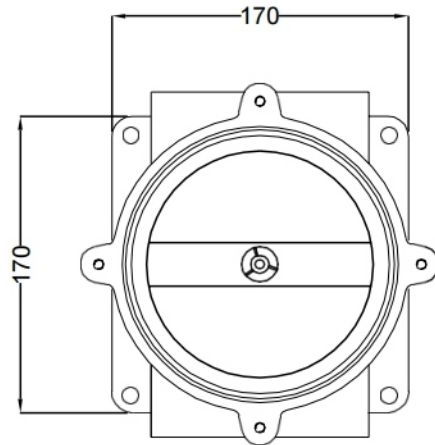
Plot. No. E/14, Addl. MIDC, Anand Nagar, Ambarnath (E), Dist. Thane, Maharashtra, India — 421 506.,

sales@flameproof.co.in

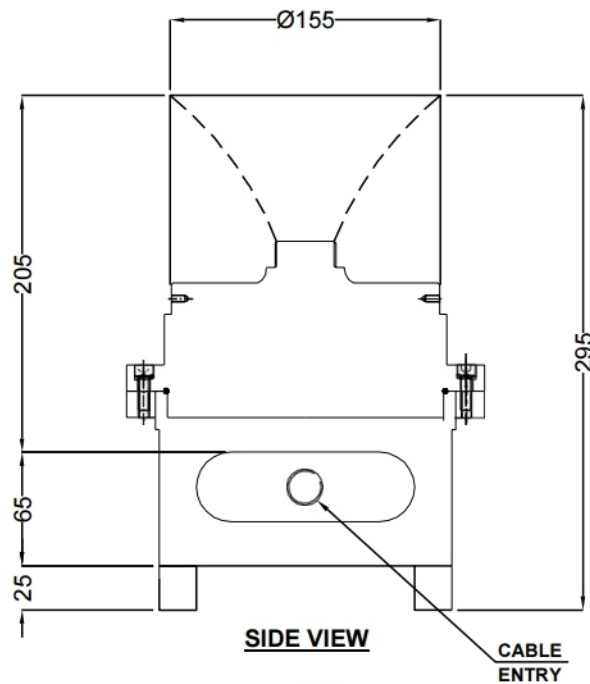
9321160178

www.flameproof.co.in

# Dimensional Details

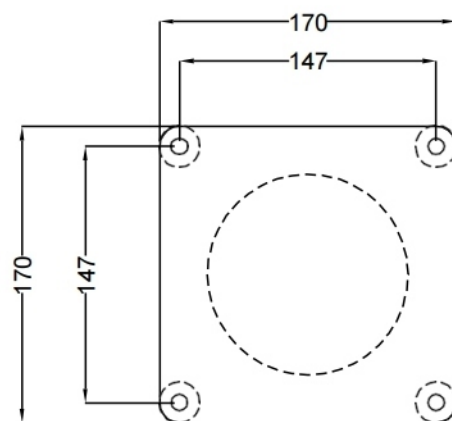


**TOP VIEW**



**SIDE VIEW**

CABLE  
ENTRY



**BACK VIEW**  
**MOUNTING DIMENSION**



Flameproof Instrumentation

Made in



Flameproof Instrumentation

Plot. No. E/14, Addl. MIDC, Anand Nagar, Ambarnath (E), Dist. Thane, Maharashtra, India — 421 506.,

sales@flameproof.co.in

9321160178



www.flameproof.co.in