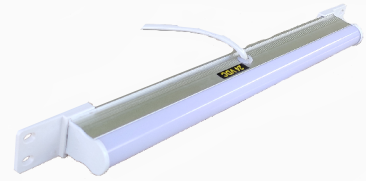


MIMIC DC Tube Light is useful in vehicles, solar, control panel & emergency lighting applications.

The sleek light weight aluminum body with strong ABS mounting is designed for heavy vibrations, indoor & outdoor applications.

- LED Based.
- LED Expected life : 50,000 Hrs.
- Operating Voltage : 24 / 48 / 110 VDC.
- Unbreakable translucent plastic dome.
- Aluminum extruded Light weighted body.
- IP - 65 weather protection.
- ON - OFF switch provided (Optional).
- Input reverse voltage protection provided.



TECHNICAL

Voltage Nominal	24 / 48 / 110 VDC
Operating Temp.	-40deg. to 80 deg. C
Storage Temp.	-40deg. to 80 deg. C
Protection Rating	IP 65
Lumens	1000
Connection	1.5mm. sq x 2 nos.
Connecting Terminal	Provided inside lamp
Control	ON /OFF switch provided (optional)
Weight	450 gms

PERFORMANCE

Rated Insulation Voltage (AC , DC)	250V
Voltage Fluctuation range	+15%
Voltage Rating	20VDC to 32VDC
Rated Operational Current	280 mA
Insulation Resistance (M ohm)	1000
Shock resistance	490 m / sq. sec
Impulse Withstand Voltage	+4500V 3 Times for each pole

BODY

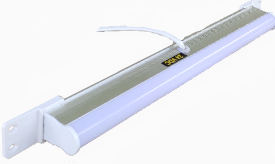
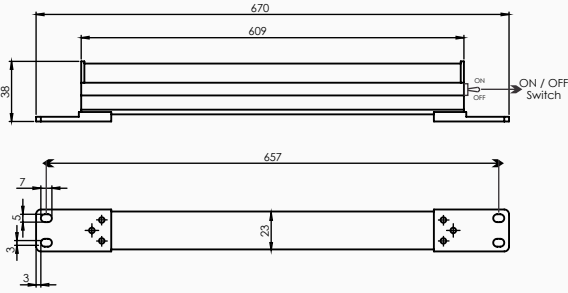
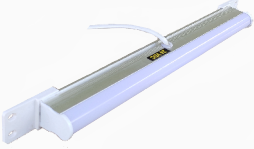
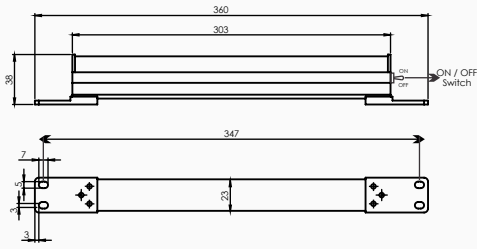
Main Body	Aluminum
Glow	Polycarbonate diffused
Mounting	ABS

Manufactured by : Steam Airetric Controls

Made in 

Steam Airetric Controls

Plot. No. A/34, Additional Ambernath MIDC, Anand Nagar, Ambernath (E), Dist. Thane Maharashtra, India – 421 506.

Image	Model	Dimensional Detail
	<p>Model : 2 Feet Voltages : 24VDC, 48VDC, 110VDC</p>	
	<p>Model : 1 Feet Voltages : 24VDC, 48VDC, 110VDC</p>	

- All Dimensions are in mm
- Dimension for reference purpose.
- Dimension may change without notice, development is continuous process

Manufactured by : Steam Airetric Controls

Made in 

Steam Airetric Controls

Plot. No. A/34, Additional Ambernath MIDC, Anand Nagar, Ambernath (E), Dist. Thane
 Maharashtra, India – 421 506.