

ANALOG CF SERIES - 1 (65, 120, 83)

Beemet CF series meters manufactured in both Moving Coil and Moving Iron type, are designed for wide view with a clear polycarbonate front. The base is made of ABS plastic material which has high tracking index for maximum strength and safety.

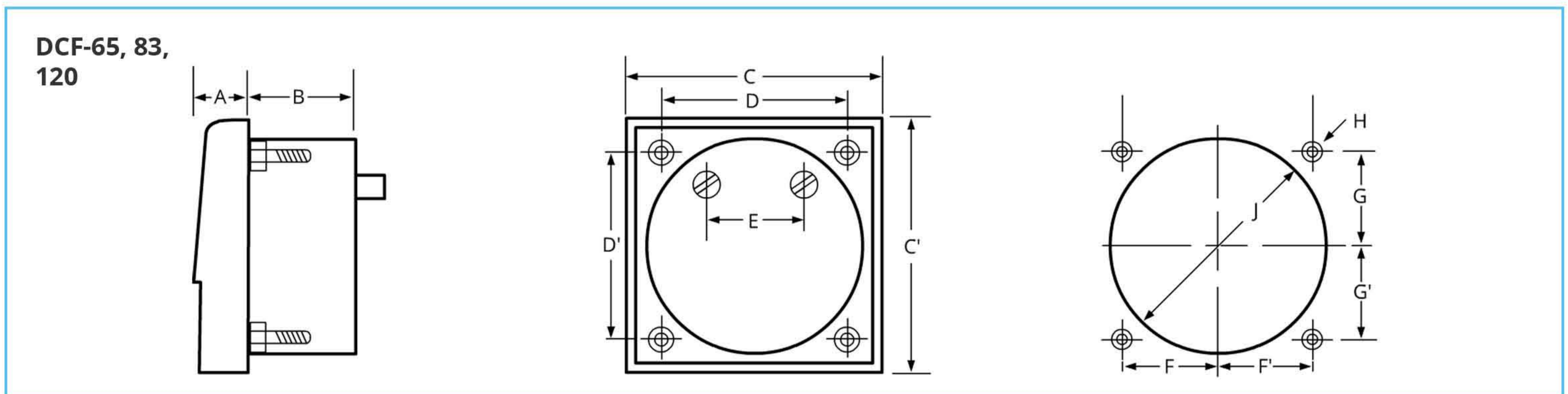
- Powerful and stable Alnico Magnets.
- Polished Carbon Steel Pivots.
- Jewelled Bearings for maximum accuracy.
- Phosphor Bronze Springs.
- Air tight and anti-static cases.



SALIENT FEATURES

- Rugged movement ensures sustained accuracy and reliability.
- Features modern design front optically clear polycarbonate cover.
- Clear and well-defined dial markings with knife edge pointer.
- Confirms to IS. 1248-83 standards.

DIMENSIONS



Model	Dimensions (mm)													Scale Length
	A	B	C	C'	D	D'	E	F	F'	G	G'	H	J	
DCF-65	12	27	65	65	48	48	25	24	24	24	24	4	55	60
DCF-83	15	25	83	83	57	57	38	28.5	28.5	28.5	28.5	3.5	67	75
DCF-120	16	27	120	102	102	90	38	51	51	51	39	3.5	70	100

RANGE CHART

Model	Description	Ammeter Range	Voltmeter Range
DCF-65, 83, 120	DC Moving Coil	25 μ A – 60A, 1A – 10000A*	10mV – 600V
ACF-65	AC Moving Iron	10mA – 100A, 1A – 10000A**	1V – 600V
SCF-65, 83, 120	AC Moving Coil Rectifier Type	1mA – 20A	1V – 600V

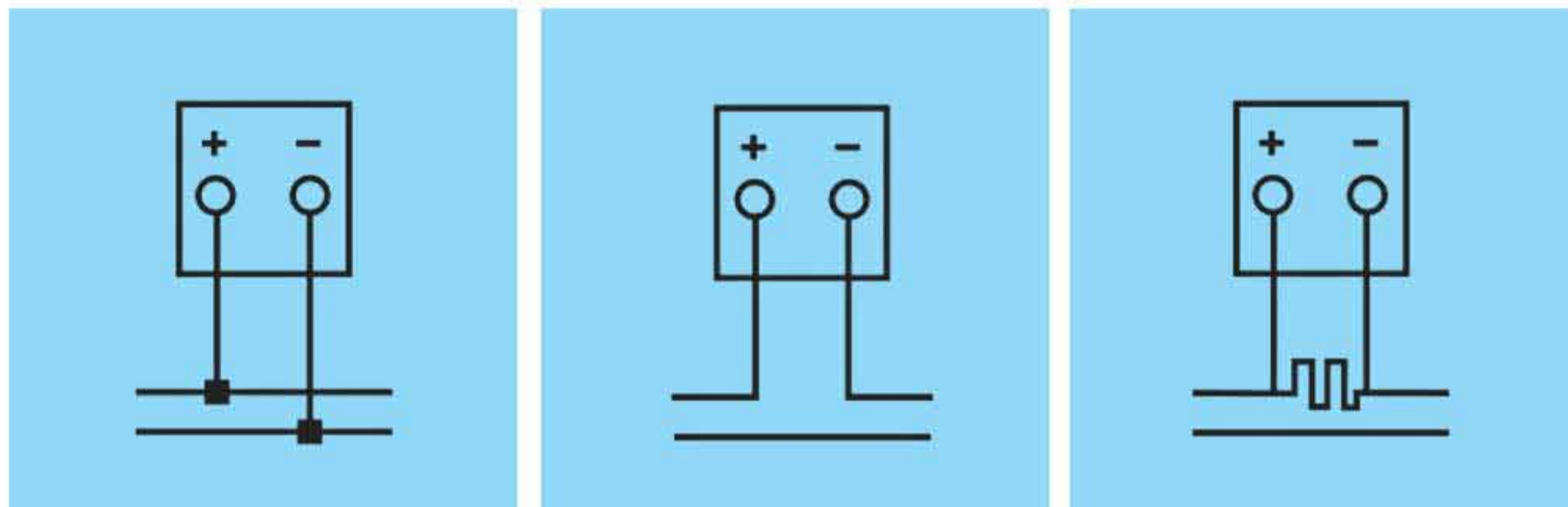
*With External Shunt ** With external CT

GENERAL SPECIFICATIONS

Accuracy Class	$\pm 1.5 / 2.0$ of FSD
Measurable quantities	AC and DC Voltage or Current
Pointer deflection	0 – 90°
Frequency	50/60Hz
Sensitivity	1000 Ω/V (Voltmeter); 200 Ω/V (Ammeter)
Overload capacity	According to IS: 1248 / IEC 51
Short duration for voltmeters	2 times for 5s: 1 overload 2 times for 0.5s: 9 overloads
Short duration for ammeters	10 times for 5s: 1 overload 10 times for 5s: 9 overloads
Continuously	1.2 times rated voltage or current
Operating Temperature	-10 to 55°C
Storage Temperature	-25 to 65°C
Relative Humidity	< 75% annual average, non-condensing

WIRING DIAGRAM

DC Moving Coil Voltmeters and Ammeters:

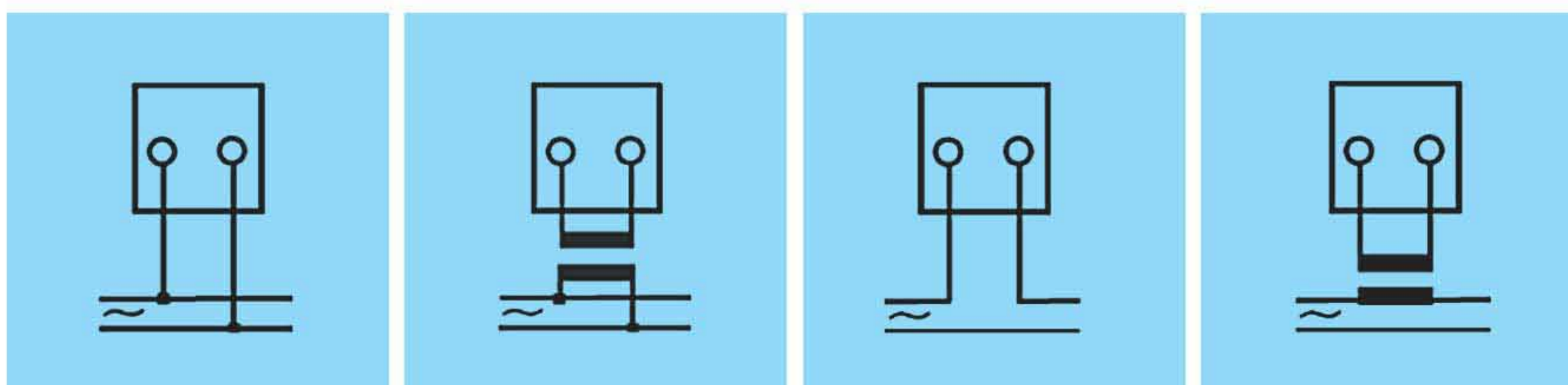


Voltmeter with direct connection

Ammeter with direct connection

Ammeter with shunt

AC Moving Coil Voltmeters and Ammeters:



Voltmeter with direct connection

Voltmeter with PT

Ammeter with direct connection

Ammeter with CT