

MIMIC Audio visual made as per IP weather protection is designed for safety and warning signals. Rugged construction with metallic epoxy powder coated body.

Designed for outdoor harsh atmosphere. Ideal for railways, marine, Defense, Cement plants, Air force, Pharmaceutical & Engineering industries.

- IP 66 Weather protection
- Available tones : Wobbling  
Single tone  
Two tone
- 32 tone model also available
- Voltages : 12VDC, 24VDC, 230VAC
- Powerful 110dB sound with flashing LED
- Electronic maintenance free siren



## TECHNICAL

### Electrical

Operational Voltage	12VDC, 24 VDC, 230VAC / 50-60Hz
Wattage	12 W max
Type	Electronic

### Mechanical

Overall dimension	380mm(Ht) x 232mm(W) x 310mm(D)
Weight	6.5 kg
Mounting	Foot mounting
Mounting dimension	232mm x 142mm
Mounting hole	7mm, suitable for 6mm bolt
Body material	MS Epoxy powder coated (Red)
Light body material	ABS Engineering grade
Light display material	Polycarbonate

## PERFORMANCE

### Sound parameters

Available tones	(1) Single tone (2) Four tone (3) 32 tone
Sound level	Minimum 108 dB (at 1 meter) Typical 110 dB (at 1 meter) Maximum 113 dB (at 1 meter)

### Light parameters

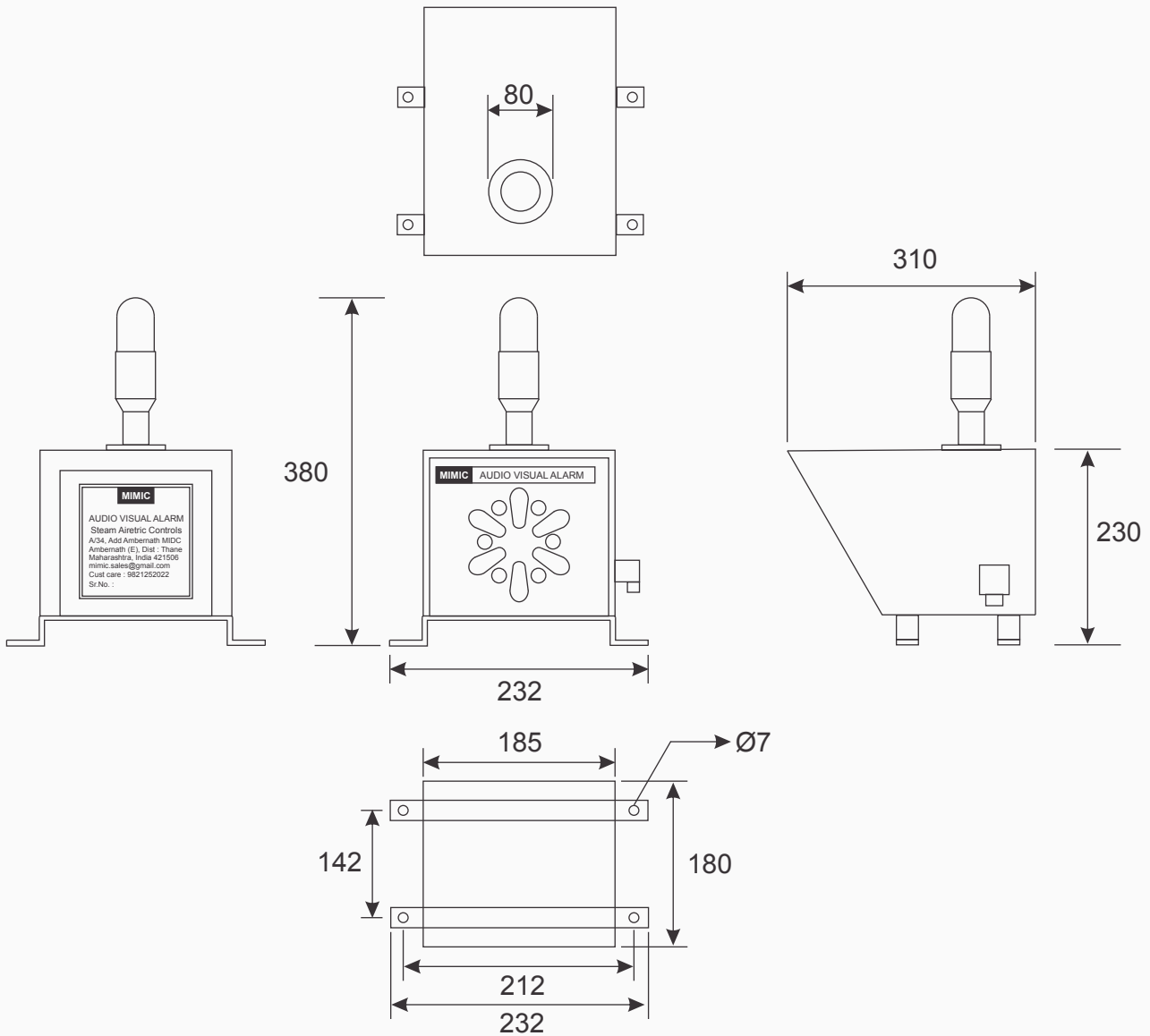
Type of illuminaton	LED, Flashing, 2sec ON-1sec OFF
---------------------	---------------------------------

Manufactured by : Steam Airetric Controls

Made in 


## Steam Airetric Controls

Plot. No. A/34, Additional Ambernath MIDC, Anand Nagar, Ambernath (E), Dist. Thane Maharashtra, India – 421 506.



- All Dimensions are in mm
- Dimension for reference purpose.
- Dimension may change without notice, development is continuous process

Manufactured by : Steam Airetric Controls

Made in 

## Steam Airetric Controls

Plot. No. A/34, Additional Ambarnath MIDC, Anand Nagar, Ambarnath (E), Dist. Thane  
Maharashtra, India – 421 506.