



**Annunciation window  
Standard**



**Annunciation Window  
22L**



**Annunciation Window  
22S**



**Annunciation window  
30 X 30**



**Annunciation window  
30 X 40**



**Annunciation window  
30 X 60**



**Annunciation window  
60 X 60**

**Salient Features**

- Available Voltages 6V,12V,24V,48V,110V,230VAC,DC,AC/DC
- Control Panel mounting type
- Available Colors:-Red,Green,Amber.Blue,White,Warm white

**Other related products**

- Annunciation Systems

**Applications**

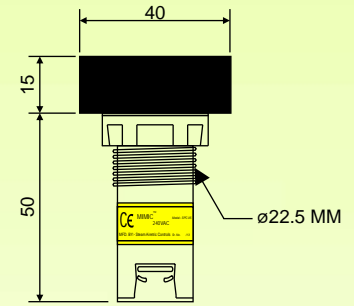
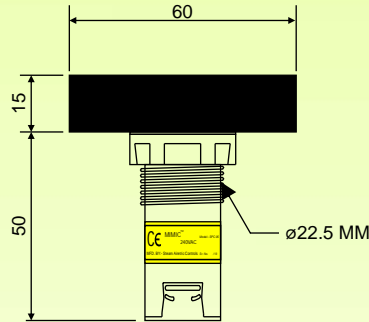
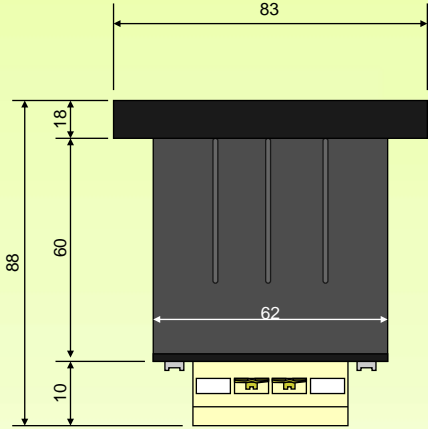
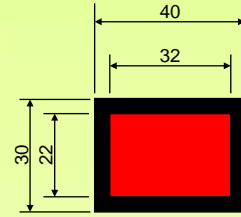
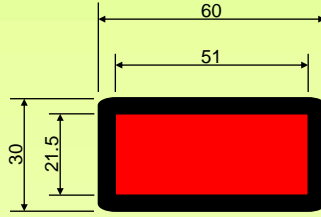
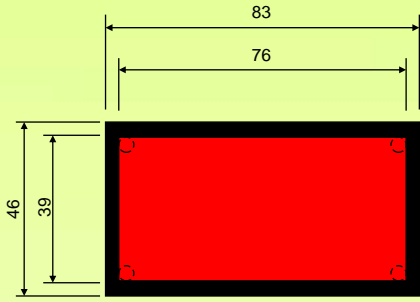
1. Electrical Control Panels, Automation Panels
2. Fault Indications
3. Safety and fire panels
4. Defence Panels

Head Office.  
Plot. No. A/34, Additional Ambarnath MIDC, Anand Nagar, Ambarnath (E),Dist. Thane  
Maharashtra, India — 421 506.

Sales Inquiry from outside INDIA : +91-9321252022, +91-251-2621706, 2621518, 2621519 Email:- mimic.ledlamps@gmail.com  
Sales Inquiry from INDIA : 09321252022, 0251-2621706, 2621518, 2621519 Website:-www.mimicproducts.com



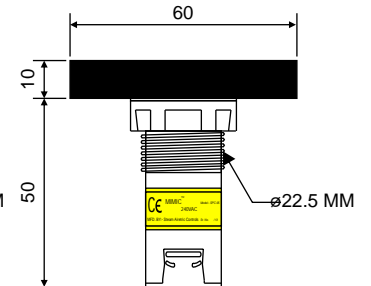
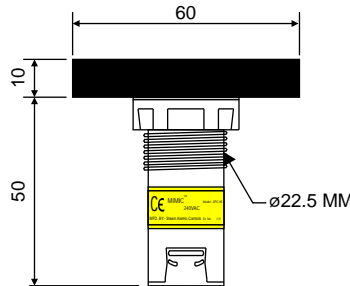
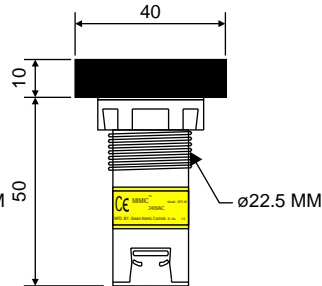
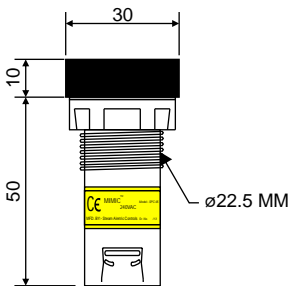
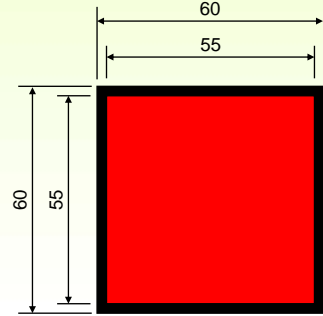
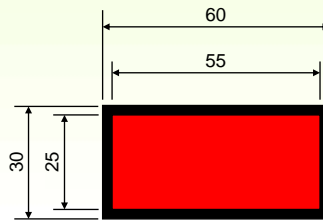
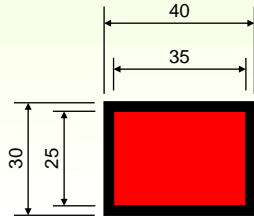
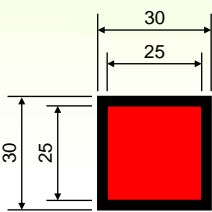
**Ordering Code: Name - Mimic Annunciation Window Model - W**



**Standard  
Annunciation window**

**Annunciation Window  
22L**

**Annunciation Window  
22S**



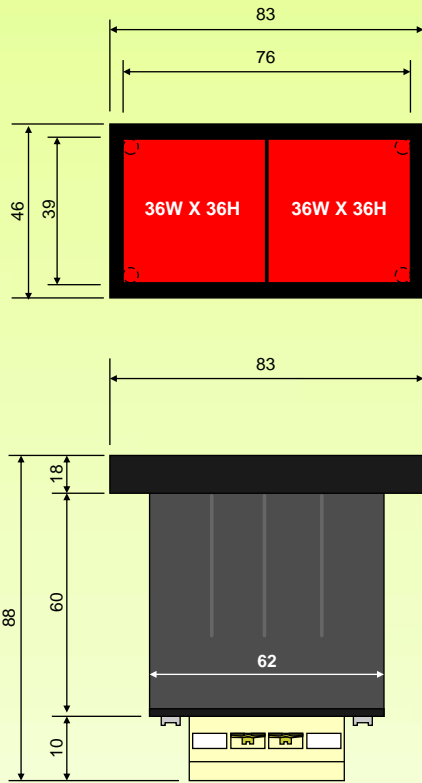
**Annunciation window  
30 X 30**

**Annunciation window  
30 X 40**

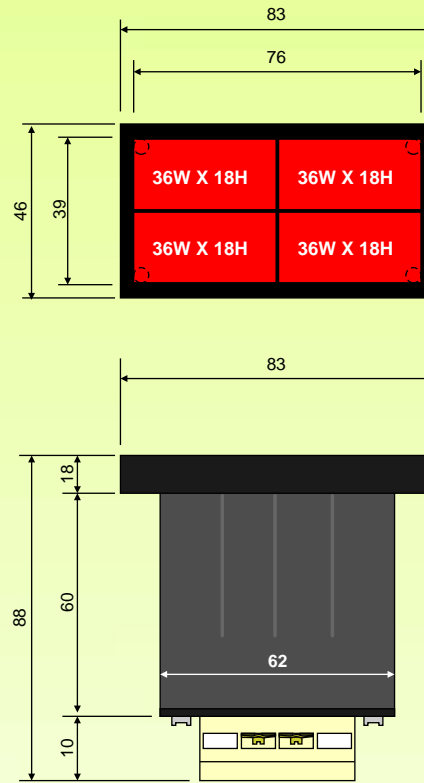
**Annunciation window  
30 X 60**

**Annunciation window  
60 X 60**

All dimensions in millimeters



**Standard  
Annunciation window 2X1**



**Standard  
Annunciation window 4X1**

**Ordering code**

MIMIC -	Type	Type of function		Voltage		Type of voltage		Colour			
	Annunciation window details	code	Function details	Code	voltage	code	voltage	code	colour	code	
<b>MIMIC</b>	W30x30	W33	Steady	S	12 v -	12	AC	-	AC	Red	R
	W30x40	W34	Flashing	F	24 v -	24	DC	-	DC	Green	G
	W30x60	W36	Bicolour	BI	30 v -	30				Amber	A
	W60x60	W66			48 v -	48				Yellow	Y
	Standard 1X1	WS1			110 v -	110				Blue	B
	Standard 2X1	WS2			230 v -	230				White	W
Standard 4X1	WS4			415 v -	415						

Example: annunciation window/W30X30/230vac/steady/red code : **MIMIC - W33 - S - 230 - AC - R**

All dimensions in millimetres

**Ordering Requirements** The following code is designed to help in selection of the correct unit. Build up the reference number by inserting the code for each component into the appropriate box

All specifications, dimensions, weights and tolerances are nominal (typical) and MIMIC reserved the right to vary all data without prior notice. No liability is accepted for any consequence of use.

