



Round Body



Square Body

## Applications

- 1) Electrical control panels
- 2) Motor control centres
- 3) Automatic Control Panels
- 4) Starters
- 5) Electronic Control Panels

## Features

- 22.5 dia cutout.
- Standard product for electrical control panel manufacturers.
- Bright front glow.
- Viewing angle 180 degrees.
- Colours available Red, Green, Amber, Blue, White.
- Terminals suitable up to 2.5mm.sq.wire.x 2 nos.
- Voltages available. 24V, 48v, 110V, 230V, 415AC & 24V, 48v, 110V, 230V, Ac and AC/DC.
- Body size 30x30 mm.
- Made in India.

## Technical Specification

- ◆ Rated Insulation voltage (Ui) :- AC, DC 250V
- ◆ Rated Operational Voltage (Ui) :- DC 250V, 30V, 48V, 100/110V, 125V, 200/220V
- ◆ Voltage Fluctuation Range :- + 15%
- ◆ Rated Operational Current (Ie) :- 20 mA max
- ◆ Insulation Resistance :- 1000m over
- ◆ Impulse Withstand Voltage :- +4500V, 3Times For Each Pole(1.2/50µs)
- ◆ Shock Resistance :- 490m/s<sup>2</sup>
- ◆ Durability :- Over 10000 cycles
- ◆ Degree Of Protection :- Ip52
- ◆ Operating Temperature :- -20 to 60° c
- ◆ Storage Temperature :- -30 to 75° c
- ◆ Relative Humidity :- 45 to 85 %
- ◆ Altitude :- Max 2000m
- ◆ Compatible Copper Conductor :- AWG 20 to 14
- ◆ Mounting Plate Thickness :- 1 to 6 mm
- ◆ Confirming to Standard :- IEC 60947-5-1 IEC 60947-1

### Head Office.

Plot. No. A/34, Additional Ambarnath MIDC, Anand Nagar, Ambarnath (E), Dist. Thane Maharashtra, India — 421 506.

Sales Inquiry from outside INDIA : +91-9321252022, +91-251-2621706, 2621518, 2621519 Email:- mimic.ledlamps@gmail.com

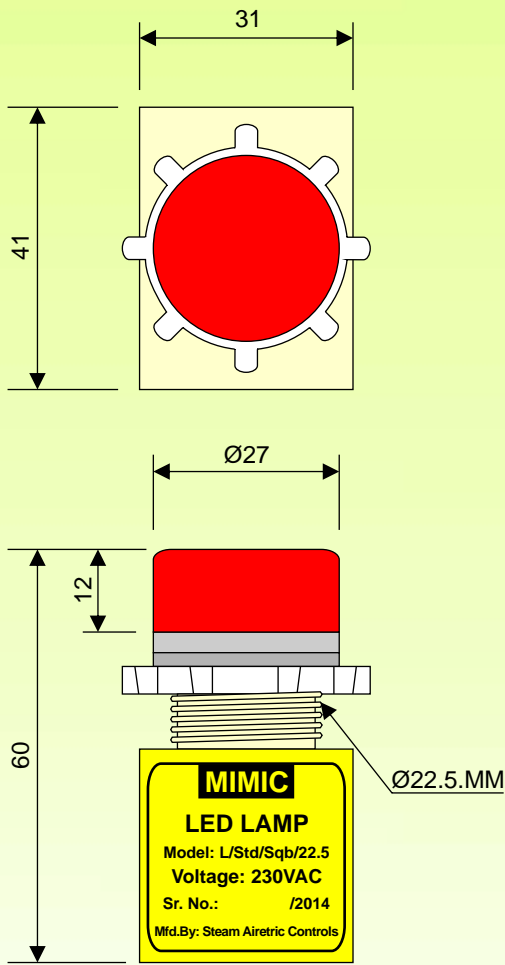
Sales Inquiry from INDIA : 09321252022, 0251-2621706, 2621518, 2621519

Website:-www.mimicproducts.com

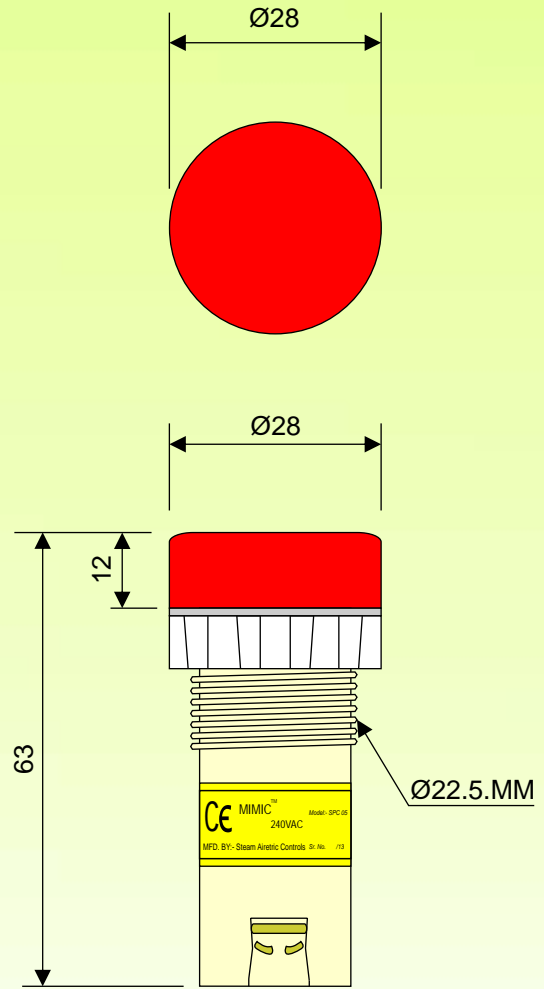
Quick Contact :- 0 84475 69893

**Ordering Code: Name** - Mimic Indicating Lamp standard 22.5

**Model** - L-ST



**(SQUARE)  
STANDARD LAMP**



**(ROUND)  
STANDARD LAMP**

All dimensions in millimetres

## Ordering Requirements

The following code is designed to help in selection of the correct unit. Build up the reference number by inserting the code for each component into the appropriate box

Ordering code								
Type of lamp	22	Type of body	Voltage	Type of voltage	Type	Colour		
Lamp Type	Code	Code	Voltage	Code	voltage code	Code	Colour	Code
Single colour	- L	Square - SQ	12 v - 12	AC - AC	Economy - EC	Red	R	
Bicolour	- BIL	Round - RO	24 v - 24	DC - DC	Standard - ST	Green	G	
Tricolour	TRI		30 v - 30	AC/DC - AD	Legend - LE	Amber	A	
Flasher	- FL		48 v - 48			Yellow	Y	
Steady+Flasher	- SFL		110 v - 110			Blue	B	
			230 v - 230			White	W	
			415 v - 415					
			24 - 270v - 24270					

**Example:** Lamp/22mm cutout/square body/230 volt AC/Standard/red- code : **MIMIC-L-22-SQ-230-AC-ST-R**