



Features

- 22.5 dia cutout.
- Economical product for electrical control panel manufacturers.
- Bright front glow.
- Viewing angle 70 degrees.
- All colors Red, Green, Amber, Blue, White available
- Terminals suitable upto 2.5mm.sq.wire.x 2 nos.
- Voltages available. 24V, 48v, 110V, 230V, 415AC & 24V, 48v, 110V, 230V, Ac and AC/DC.
- Body size 30x30 mm.
- Made in India.

Applications

- 1) Electrical control panels
- 2) Motor control centres
- 3) Automatic Control Panels
- 4) Starters
- 5) Electronic Control Panels

Head Office.

Plot. No. A/34, Additional Ambarnath MIDC, Anand Nagar, Ambarnath (E), Dist. Thane
Maharashtra, India — 421 506.

Sales Inquiry from outside INDIA : +91-9321252022, +91-251-2621706, 2621518, 2621519 Email:- mimic.ledlamps@gmail.com

Sales Inquiry from INDIA : 09321252022, 0251-2621706, 2621518, 2621519

Website:-www.mimicproducts.com

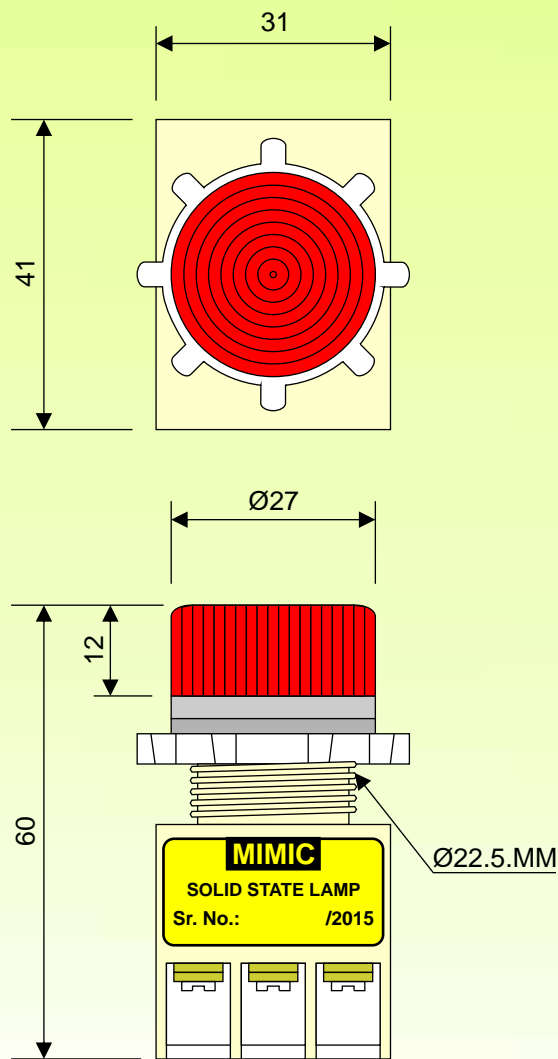
Quick Contact :- 0 84475 69893

Ordering Code: Name - Mimic Indicating Lamp Economy 22.5

Model - EC

Technical Specification

- ◆ Rated Insulation voltage (Ui) :- AC, DC 250V
- ◆ Rated Operational Voltage (Ui) :- DC 250V, 30V, 48V, 100/110V, 125V, 200/220V.
- ◆ Voltage Fluctuation Range :- + 15%
- ◆ Rated Operational Current (Ie) :- 20mA max
- ◆ Insulation Resistance :- 1000m over
- ◆ Impulse Withstand Voltage :- +4500V, 3Times For Each Pole(1.2/50µs).
- ◆ Shock Resistance :- 490m/s²
- ◆ Durability :- Over 10000 cycles
- ◆ Degree Of Protection :- Ip52
- ◆ Operating Temperature :- -20 to 60° c
- ◆ Storage Temperature :- -30 to 75° c
- ◆ Relative Humidity :- 45 to 85 %
- ◆ Altitude :- Max 2000m
- ◆ Compatible Copper Conductor :- AWG 20 to 14
- ◆ Mounting Plate Thickness :- 1 to 6 mm
- ◆ Confirming to Standard :- IEC 60947-5-1 IEC 60947-1



All dimensions in millimeters

Ordering Requirements

The following code is designed to help in selection of the correct unit. Build up the reference number by inserting the code for each component into the appropriate box

Ordering code							
Type of lamp	22	Type of body	Voltage	Type of voltage	Type	Colour	
Lamp Type	Code	Code	Voltage Code	voltage code	Code	Colour	Code
Single colour	L	Square - SQ	12 v - 12	AC - AC	Economy - EC	Red	R
Bicolour	BIL	Round - RO	24 v - 24	DC - DC	Standard - ST	Green	G
Tricolour	TRI		30 v - 30	AC/DC - AD	Legend - LE	Amber	A
Flasher	FL		48 v - 48			Yellow	Y
Steady+Flasher	SFL		110 v - 110			Blue	B
			230 v - 230			White	W
			415 v - 415				
			24 - 270v - 24270				

Example: Lamp/22mm cutout/square body/230 volt AC/economy/red- code : **MIMIC-L-22-SQ-230-AC-EC-R**

All specifications, dimensions, weights and tolerances are nominal (typical) and MIMIC reserved the right to vary all data without prior notice. No liability is accepted for any consequence of use.