



Introduction

Electronic Hooter with weather protection IP-66 is required for naval as well as outdoor applications. The electronic hooter is robust in design & available with IP66 junction box, having cable entry provision.

Applications

1. Navy
2. Outdoor signalling

Features

- ❖ Ideal For Naval applications.
- ❖ IP 66 weather protection.
- ❖ 90 to 110db hooter sound.
- ❖ Out door duty.
- ❖ With IP66 Junction box.

Other related models

1. Portable Siren & Sirens.
2. Electronic Hooters for control panels.
3. Tower Lamps.

Head Office.

Plot. No. A/34, Additional Ambarnath MIDC, Anand Nagar, Ambarnath (E), Dist. Thane Maharashtra, India — 421 506.

Sales Inquiry from outside INDIA : +91-9321252022, +91-251-2621706, 2621518

Sales Inquiry from INDIA : 09321252022, 0251-2621706, 2621518

Quick Contact :- 0 84475 69893

Ordering Code: Name - Mimic Electronic Hooter IP66

Email:- mimic.sales@gmail.com

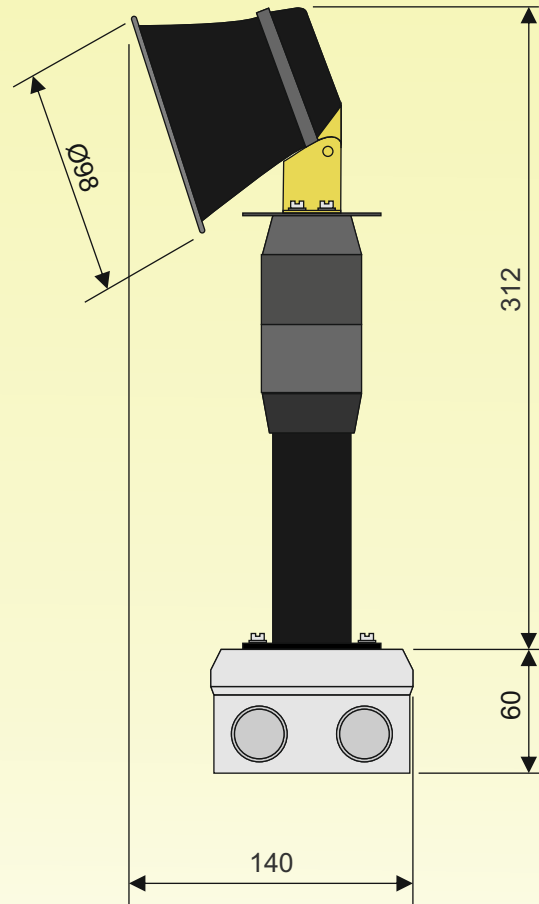
Website:- www.mimicproducts.com

www.mimicindia.com

Model - H-IP-66

Technical Specification

- **Name** : Electronic Hooter IP 66
(Model :HIP66)
- **Brand** : MIMIC
- **Weatherproof protection** : IP66
- **Available voltages** : 12VDC , 24VDC,
110VAC, 230VAC 10% ±
- **Wattage** : 9.6 watt
- **Current** : 0.4 A
- **Sound Intensity** : 90 to 105 dB at 1met.
distance.
- **Connection** : Conn. suitable for 1.5mm sq.
- **Overall Size** : 375mm x 100mm x100mm.
- **Material** : ABS engineering grade for
body and poly carbonate
for glowing part.
- **Single packing box** : 450mm x 150mm x 150mm.
- **packing boxes
per carton** : 9 nos
- **Main transport box** : 500mm x 500mm x 500mm.
- **Weight** : 1kg with packing for 1 no



All dimensions in millimetres

Ordering Requirements

The following code is designed to help in selection of the correct unit. Build up the reference number by inserting the code for each component into the appropriate box

<u>Ordering code</u>						
MIMIC -	H	-	Type of Hooter	-	IP-66	-
			Voltage	-	Type of voltage	
			Type	Code	voltage	code
MIMIC			Flasher	F	12 v -	12
					24 v -	24
					30 v -	30
					48 v -	48
					110 v -	110
					230 v -	230
			AC	-	AC	
			DC	-	DC	
Example: Electronic Hooter IP66 /230 volt/ AC				code: MIMIC-H-230-AC		