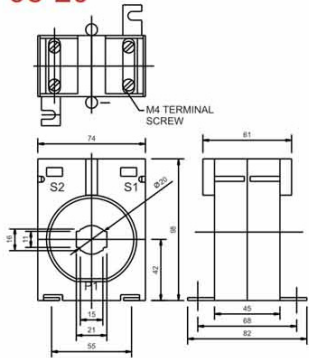




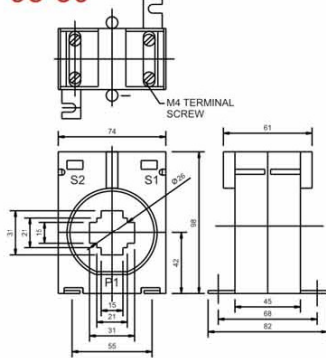
**AE-98(74) Series**

- AE 98/20, 98/30, 98/40, 98/50 available in Accuracy Class 0.25, 0.2, 0.5 & Class 1
- For Bus bar size details please refer dimension and diagram.
- Orders for different ranges of CT's are accepted on request.
- 5A & 1A Secondary available.
- For all transformers DIN RAIL plate can be supplied (as per DIN EN 50022) on request.

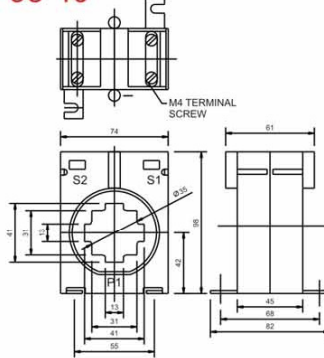
**98-20**



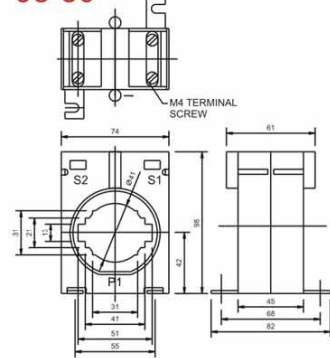
**98-30**



**98-40**



**98-50**



Rated Primary Current	98/20				98/30			
	Accuracy Class				Accuracy Class			
	0.25	0.2	0.5	1	0.25	0.2	0.5	1
30 A	-	-	-	1.5VA	-	-	-	1VA
40 A	-	-	-	1.5 VA	-	-	-	1.5VA
50 A	-	-	-	2.5 VA	-	-	-	1.5VA
60A	-	-	-	3.75VA	-	-	-	2.5VA
75 A	-	-	1.5VA	5VA	-	-	1.5VA	2.5VA
80 A	-	-	1.5VA	5VA	-	-	1.5VA	3.75VA
100 A	1.5VA	1.5VA	3.75VA	5VA	-	-	2.5VA	5VA
120 A	1.5VA	1.5VA	5VA	10VA	1.5VA	1.5VA	5VA	5VA
125 A	1.5VA	1.5VA	5VA	10VA	1.5VA	1.5VA	5VA	5VA
150 A	2.5VA	2.5VA	7.5VA	12.5VA	1.5VA	2.5VA	7.5VA	7.5VA
200 A	5VA	5VA	10VA	15VA	2.5VA	7.5VA	10VA	15VA
250 A	5VA	5VA	10VA	15VA	2.5VA	12.5VA	20VA	15VA
300 A	5VA	7.5VA	15VA	15VA	2.5VA	15VA	20VA	15VA
400 A	5VA	10VA	15VA	20VA	5VA	15VA	20VA	20VA
500 A	-	-	-	-	5VA	15VA	20VA	20VA
600 A	-	-	-	-	5VA	15VA	20VA	20VA
750 A	-	-	-	-	7.5VA	15VA	20VA	30VA
800 A	-	-	-	-	10VA	15VA	20VA	30VA

Rated Primary Current	98/40				98/50			
	Accuracy Class				Accuracy Class			
	0.25	0.2	0.5	1	0.25	0.2	0.5	1
40 A	-	-	-	1VA	-	-	-	-
50 A	-	-	-	1VA	-	-	-	-
60A	-	-	-	1VA	-	-	-	-
75 A	-	-	-	1.5VA	-	-	-	-
80 A	-	-	-	1.5VA	-	-	-	-
100 A	-	-	1.5VA	2.5VA	-	-	-	1.5VA
120 A	-	-	1.5VA	2.5VA	-	-	-	1.5VA
125 A	-	-	1.5VA	2.5VA	-	-	-	1.5VA
150 A	-	-	2.5VA	3.75VA	-	-	-	2.5VA
200 A	2.5VA	2.5VA	3.75VA	5VA	-	-	1.5VA	3.75VA
250 A	2.5VA	2.5VA	5VA	7.5VA	1.5VA	1.5VA	2.5VA	5VA
300 A	2.5VA	2.5VA	5VA	7.5VA	1.5VA	1.5VA	5VA	7.5VA
400 A	5VA	5VA	7.5VA	12.5VA	2.5VA	2.5VA	5VA	7.5VA
500 A	5VA	7.5VA	10VA	15VA	5VA	5VA	7.5VA	10VA
600 A	5VA	10VA	15VA	20VA	5VA	7.5VA	10VA	12.5VA
750 A	5VA	10VA	15VA	20VA	5VA	10VA	12.5VA	15VA
800 A	7.5VA	15VA	15VA	20VA	5VA	10VA	12.5VA	15VA
1000 A	10VA	15VA	15VA	20VA	5VA	10VA	12.5VA	15VA

