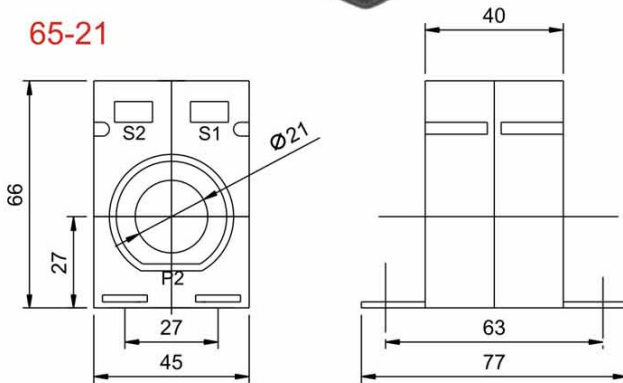




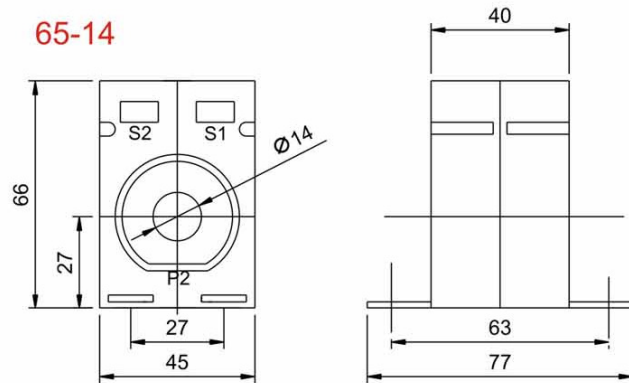
AE-65(45) Series

- AE 65/14 available in Accuracy Class 0.5, 1 & Class 3
- AE 65/21 available in Accuracy Class 0.5, 1 & Class 3
- For Bus bar size details please refer dimension and diagram.
- Orders for different ranges of CT's are accepted on request.
- 5A & 1A Secondary available.
- For all transformers DIN RAIL plate can be supplied (as per DIN EN 50022) on request.

65-21



65-14



Rated Primary Current	65/14			65/21		
	Accuracy Class			Accuracy Class		
	0.5	1	3	0.5	1	3
30 A	-	-	-	-	-	-
40 A	-	-	1 VA	-	-	-
50 A	-	1VA	1.5 VA	-	1VA	1.5VA
60 A	-	1.5 VA	1.5VA	-	1VA	1.5VA
75 A	-	1.5 VA	2.5VA	-	1.5VA	1.5VA
80 A	-	1.5 VA	2.5VA	1VA	1.5VA	2.5VA
100 A	1.5 VA	2.5 VA	3.75VA	1.5VA	2.5VA	2.5VA
120 A	1.5 VA	3.75 VA	3.75VA	1.5VA	2.5VA	3.75VA
125A	1.5 VA	3.75 VA	5VA	2.5VA	3.75VA	3.75VA
150 A	2.5 VA	5 VA	5VA	1.5VA	3.75VA	5VA
200 A	3.75 VA	5 VA	7.5VA	3.75VA	3.75VA	5VA
250 A	5 VA	7.5 VA	10VA	3.75VA	5VA	5VA
300 A	5 VA	10 VA	-	5VA	5VA	7.5VA
400A	-	-	-	3.75VA	5VA	7.5VA

