



**Automatic  
Electric Ltd.**

**Current  
Transformers**

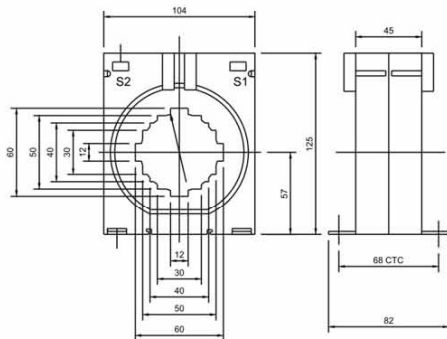
**DS6**



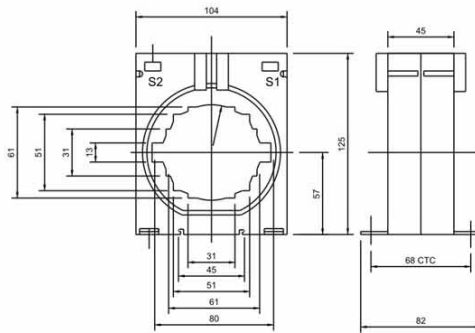
## AE-125(104) Series

- ◆ AE 125/60,125/80 available in Accuracy Class 0.25, 0.2, 0.5 & Class 1
- ◆ For Bus bar size details please refer dimension and diagram.
- ◆ Orders for different ranges of CT's are accepted on request.
- ◆ 5A & 1A Secondary available.
- ◆ For all transformers DIN RAIL plate can be supplied (as per DIN EN 50022) on request.

125/60



125/80



| Rated Primary Current | 125/60         |        |        |        | 125/80         |        |       |        |
|-----------------------|----------------|--------|--------|--------|----------------|--------|-------|--------|
|                       | Accuracy Class |        |        |        | Accuracy Class |        |       |        |
|                       | 0.25           | 0.2    | 0.5    | 1      | 0.25           | 0.2    | 0.5   | 1      |
| 100 A                 | -              | -      | -      | 1.5VA  | -              | -      | -     | -      |
| 120 A                 | -              | -      | -      | 2.5 VA | -              | -      | -     | -      |
| 125 A                 | -              | -      | -      | 2.5 VA | -              | -      | -     | -      |
| 150A                  | -              | -      | 2.5 VA | 5VA    | -              | -      | -     | -      |
| 200 A                 | -              | -      | 5 VA   | 10VA   | -              | -      | -     | 1.5VA  |
| 250 A                 | -              | 1.5VA  | 7.5 VA | 12.5VA | -              | -      | 1.5VA | 2.5VA  |
| 300 A                 | 1.5VA          | 2.5VA  | 10 VA  | 15VA   | -              | -      | 2.5VA | 7.5VA  |
| 400 A                 | 2.5VA          | 3.75VA | 10 VA  | 15VA   | -              | 1.5VA  | 5VA   | 10VA   |
| 500 A                 | 3.75VA         | 7.5VA  | 15 VA  | 20VA   | -              | 1.5VA  | 5VA   | 10VA   |
| 600 A                 | 5VA            | 10VA   | 15 VA  | 30VA   | -              | 2.5VA  | 7.5VA | 12.5VA |
| 750 A                 | 5VA            | 15VA   | 20 VA  | 30VA   | 5VA            | 5VA    | 10VA  | 15VA   |
| 800 A                 | 7.5VA          | 15VA   | 30 VA  | 30VA   | 5VA            | 7.5VA  | 10VA  | 15VA   |
| 1000 A                | 10VA           | 20VA   | 30 VA  | 45VA   | 7.5VA          | 12.5VA | 20VA  | 20VA   |
| 1200 A                | 10VA           | 30VA   | 30 VA  | 45VA   | 10VA           | 15VA   | 20VA  | 30VA   |
| 1250 A                | 10VA           | 30 VA  | 30 VA  | 45VA   | 10VA           | 15VA   | 20VA  | 30VA   |
| 1500 A                | 10VA           | 30 VA  | 30 VA  | 45VA   | 10VA           | 15VA   | 20VA  | 30VA   |
| 1600 A                | 10VA           | 30 VA  | 30 VA  | 45VA   | 10VA           | 15VA   | 20VA  | 30VA   |
| 2000 A                | -              | -      | -      | -      | 10VA           | 15VA   | 20VA  | 30VA   |



**Automatic  
Electric Ltd.**

**Registered Office & Marketing Division :**

Rectifier House, 570, Naigaum Cross Road,  
Wadala, Mumbai 400 031, India

Tel. : 91-22-24131849/24151794/24162261, Fax : 91-22-24112582

E-mail : Domestic Market : [ssr@aelindia.com](mailto:ssr@aelindia.com) / [sales@aelindia.com](mailto:sales@aelindia.com) / [ppp@aelindia.com](mailto:ppp@aelindia.com)

Export Market : [pab@aelindia.com](mailto:pab@aelindia.com) • For Technical know-how : [development@aelindia.com](mailto:development@aelindia.com)



[www.aelindia.com](http://www.aelindia.com)

Note: Product innovation is a part of continuous development hence specifications are subject to change without notice.