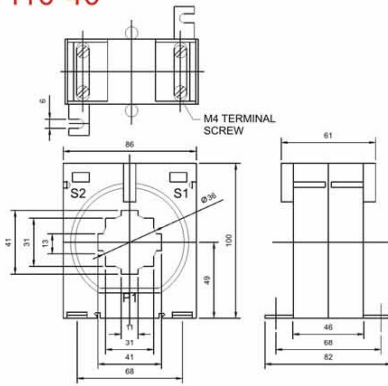




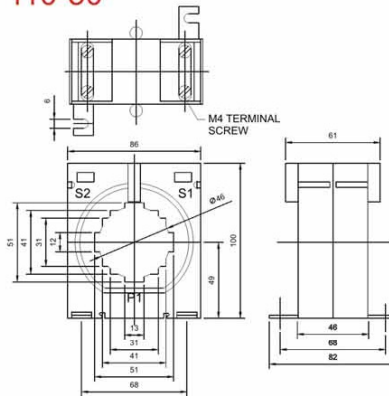
AE-110(86) Series

- ◆ AE 110/40, 110/50, 110/60 available in Accuracy Class 0.25, 0.2, 0.5 & Class 1
- ◆ For Bus bar size details please refer dimension and diagram.
- ◆ Orders for different ranges of CT's are accepted on request.
- ◆ 5A & 1A Secondary available.
- ◆ For all transformers DIN RAIL plate can be supplied (as per DIN EN 50022) on request.

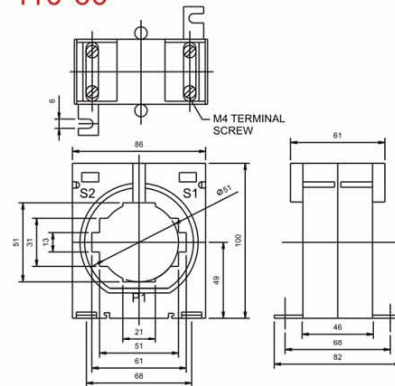
110-40



110-50



110-60



Rated Primary Current	110/40 Accuracy Class				110/50 Accuracy Class				110/60 Accuracy Class			
	0.25	0.2	0.5	1	0.25	0.2	0.5	1	0.25	0.2	0.5	1
50A	-	-	-	1.5VA	-	-	-	-	-	-	-	-
60A	-	-	-	1.5 VA	-	-	-	-	-	-	-	-
75A	-	-	-	2.5 VA	-	-	-	-	-	-	-	-
80A	-	-	-	2.5VA	-	-	-	-	-	-	-	-
100A	1.5VA	1.5VA	1.5VA	3.75VA	-	-	2.5VA	2.5VA	-	-	-	1VA
120A	1.5VA	1.5VA	2.5VA	5.0VA	-	-	2.5VA	2.5VA	-	-	-	1.5VA
125A	1.5VA	2.5VA	2.5VA	5.0VA	-	-	2.5VA	2.5VA	-	-	-	2.5VA
150A	2.5VA	2.5VA	3.75VA	5.0VA	-	-	2.5VA	5.0VA	-	-	-	2.5VA
200A	2.5VA	3.75VA	5.0VA	7.5VA	-	-	5.0VA	7.5VA	-	-	1.5VA	3.75VA
250A	3.75VA	3.75VA	7.5VA	12.5VA	-	-	7.5VA	10VA	-	-	2.5VA	5.0VA
300A	3.75VA	5.0VA	10VA	15VA	1.5VA	2.5VA	7.5VA	10VA	1.5VA	1.5VA	5.0VA	7.5VA
400A	3.75VA	7.5VA	15VA	20VA	2.5VA	3.75VA	15VA	15VA	2.5VA	2.5VA	10VA	12.5VA
500A	5.0VA	10VA	20VA	30VA	2.5VA	5.0VA	15VA	20VA	2.5VA	3.75VA	10VA	12.5VA
600A	7.5VA	15VA	30VA	30VA	5.0VA	7.5VA	15VA	20VA	5.0VA	5.0VA	15VA	15VA
750A	7.5VA	15VA	30VA	30VA	7.5VA	10VA	15VA	20VA	5.0VA	10VA	15VA	20VA
800A	10VA	15VA	30VA	30VA	10VA	12.5VA	20VA	30VA	7.5VA	12.5VA	20VA	20VA
1000A	10VA	15VA	30VA	30VA	12.5VA	20VA	30VA	30VA	10VA	15VA	20VA	20VA
1200A	-	-	-	-	12.5VA	20VA	30VA	30VA	10VA	15VA	20VA	20VA
1250A	-	-	-	-	12.5VA	20VA	30VA	30VA	10VA	15VA	20VA	20VA
1500A	-	-	-	-	-	-	-	-	10VA	15VA	20VA	20VA
1600A	-	-	-	-	-	-	-	-	10VA	15VA	20VA	20VA

