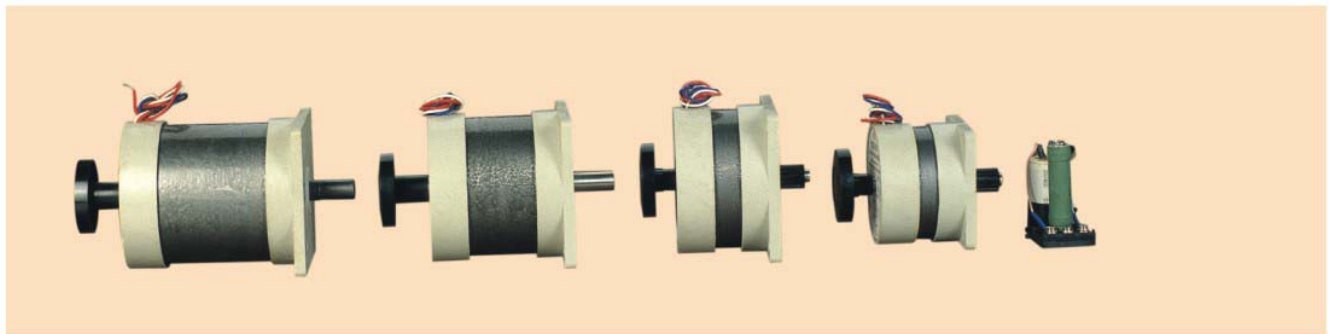


STEP-SYN® A.C. Synchronous Motor



Type : SS-32,SS-72,SS-102,SS-202,SS-302



SS-302 SS-202 SS-102 SS-72,SS-32

DESCRIPTION

These are basically two phase motors. Two-phase supply is normally not available, hence to operate the motors from single phase AC supply, second phase is artificially created by inserting a Capacitor and Resistor combination in series with one of the motor phase windings. Suitable combination of Capacitor and Resistor assembly is supplied along with the motor. The speed of revolution is 60 RPM at 50Hz. Instant stop & reversibility are achieved by means of a single-pole, double throw switch with center OFF position.

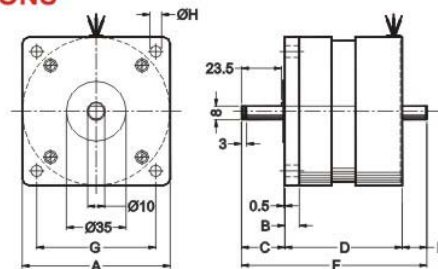
FEATURES

- ◆ Instant start & stop.
- ◆ The motors have permanent magnet on the toothed rotor. The rotor is locked with matching teeth on stator, as soon as power is switched OFF.
- ◆ Starting & running current are same.
- ◆ Maximum Torque is 15 to 20% higher than nominal torque.

ELECTRICAL SPECIFICATIONS

TYPE →	SS-32	SS-72	SS-102	SS-202	SS-302
VOLTAGE	240V. A.C.	240V. A.C.	240V. A.C.	240V. A.C.	240V. A.C.
CURRENT	100mA	100mA	200mA	300mA	500mA
RESISTOR	1kΩ / 15W	1kΩ / 15W	1.8kΩ / 20W	800Ω / 100W	235Ω / 200W
CAPACITOR	0.7mfd / 400V. A.C.	0.7mfd / 400V. A.C.	1.0mfd / 400V. A.C.	3.0mfd / 400V. A.C.	4.0mfd / 400V. A.C.
NOM.TORQUE	3kg cm	7kg cm	10kg cm	20kg cm	30kg cm

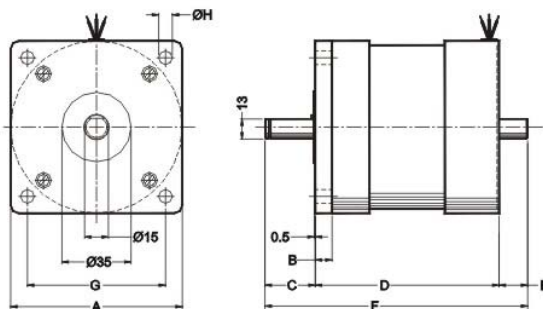
MECHANICAL SPECIFICATIONS



MODEL : SS -32, SS-72, SS-102

DIMENSIONS → TYPE ↓	A	B	C	D	E	F	G	Ø H	WT. kg
SS-32 / SS-72	87SQ.	8	25	70	17	112	70SQ.	7	1.3
SS-102	108SQ.	9	25	75	12	112	85SQ.	8	2.0

All dimensions are in mm.

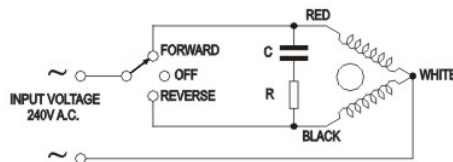


MODEL : SS 202, SS 302

DIMENSIONS → TYPE ↓	A	B	C	D	E	F	G	Ø H	WT. kg
SS-202	108SQ.	9	34	104	21	159	85SQ.	8	3.4
SS-302	108SQ.	9	34	132	21	187	85SQ.	8	4.5

All dimensions are in mm.

CONNECTION DIAGRAM



Ordering information

1) Type