



ISO-9001

Built In Transducer Type Digital Power Meter

DATA SHEET NO. BIDPM / 08 / 02



DESCRIPTION

'AE' Built in Transducer type Digital Power Meter is equipped with a measuring transducer & Digital indicator. It measures Active, Reactive & Apparent power in Single Phase & Three Phase system.

FEATURE

- ◆ The meter doesn't require external transducer, hence panel wiring is reduced.

ELECTRICAL SPECIFICATIONS

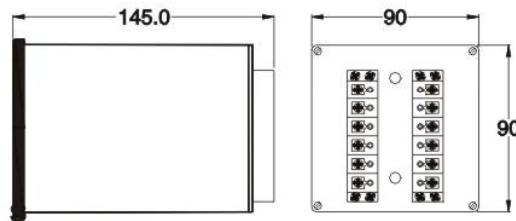
- ◆ TYPE : Active, Reactive & Apparent Power.
1 Ph / 3 Ph – 2 EL – 3 W / 3 Ph – 3 EL – 4 W
- ◆ INPUT VOLTAGE : 110V / 240V / 415V / 440V.
- ◆ INPUT CURRENT : 1A / 5A
- ◆ OPERATING FREQUENCY : 50Hz or 60Hz
- ◆ MEASURING UNIT : Active Power : W, kW, MW.
Reactive Power : Var, kVar, MVar.
Apparent Power : VA, kVA, MVA
- ◆ ACCURACY : $\pm 0.5\%$ of full scale deflection ± 2 Digits
- ◆ AUX. SUPPLY : 110 V / 240 V AC, 50 Hz
- ◆ VA BURDEN : Voltage : 3 VA
Current : 1 VA
Aux. Supply : 4 VA
- ◆ DISPLAY COLOUR : Red.(Green On request.)
- ◆ INSULATION RESISTANCE : Greater than 20M Ω at 500V DC
- ◆ DIELECTRIC TEST : 2kV RMS for 1 minute.
- ◆ OPERATING TEMP. : 0°C to 55°C
- ◆ STORAGE TEMP. : -20°C to 70°C
- ◆ HUMIDITY : Up to 95% RH

Built In Transducer Type Digital Power Meter



MECHANICAL SPECIFICATIONS

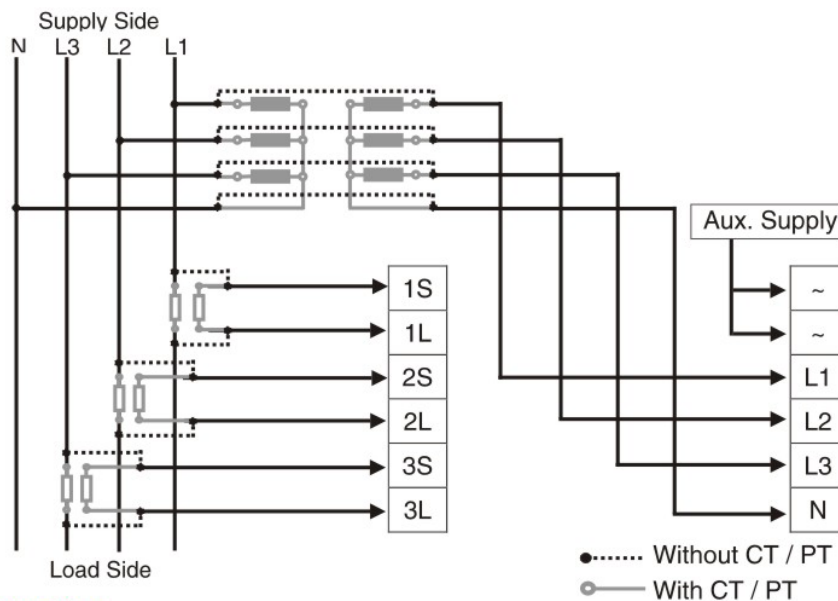
Data sheet	Model	System	Acc. Class	Size (mm)	Weight (@ gms)	Panel Cutout (mm)
BIDPM	AE 73132	Single Phase	0.5	96 x 96 x 145	800	92 x 92 ^{+0.8}
	AE 73332	3 Ph – 2 EL – 3W	0.5	96 x 96 x 145	800	92 x 92 ^{+0.8}
	AE 74332	3Ph – 3EL – 4W	0.5	96 x 96 x 145	800	92 x 92 ^{+0.8}
	AE 74334	3 Ph – 2 EL – 3W	0.5	144 x 144	800	138 x 138 ^{+1.0}
	AE 74334	3 Ph – 3 EL – 4W	0.5	144 x 144	800	138 x 138 ^{+1.0}



TERMINAL CONNECTION

TYPE	VOLTAGE	CURRENT	Aux. Supply
Single Phase	L1, N	1S, 1L	~, ~
Three Phase, Two Element, Three Wire	L1, L2, L3	1S, 1L 3S, 3L	
Three Phase, Three Element, Four Wire	L1, L2, L3, N	1S, 1L 2S, 2L 3S, 3L	

TYPICAL WIRING DIAGRAM



Ordering information

- 1) Model
- 2) Active, Reactive & Apparent Power
- 3) Resolution
- 4) PTR (if any)
- 5) CTR (if any)
- 6) Full Scale Indication.