

DATA SHEET NO. PORT 1 / 10 / 99




DESCRIPTION

These are Moving Coil DC, Moving Coil rectifier type AC, Moving Iron AC ammeters & voltmeters which are suitable for use in school, laboratories, workshops & for field operation. Specially designed to be operated in horizontal position (also in inclined position upto 45°) & can be carried along safely.

FEATURES / ADVANTAGES

- ◆ Instruments with accuracy class 1.0% for DC/AC, 1.5% for Rectifier type AC.
- ◆ Instruments with multiple scale (refer table).
- ◆ Robust housing.

ELECTRICAL SPECIFICATIONS

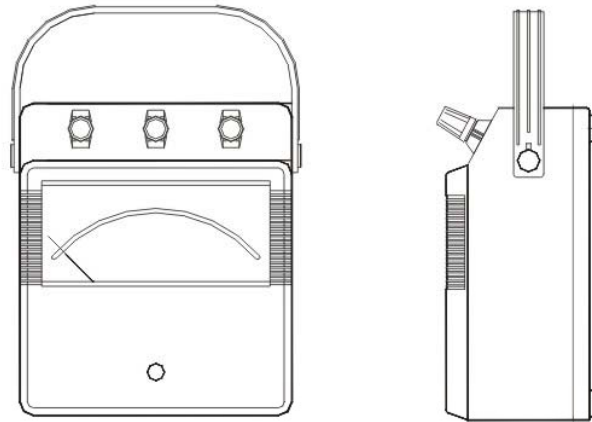
MODEL	TYPE	SCALE	RANGE	ACCURACY		
 PORT MSSB-1	D.C. μ -AMMETER	Single	50 μ A, 100 μ A, 150 μ A, 250 μ A, 500 μ A, 1000 μ A	1.0%		
		Dual	50/100 μ A, 100/200 μ A, 150/300 μ A, 250/500 μ A, 500/1000 μ A,			
	D.C. MILLI-AMMETER	Single	1mA, 2.5mA, 3mA, 5mA, 7.5mA, 10mA, 25mA, 30mA, 50mA, 75mA, 100mA, 250mA, 300mA, 500mA, 750mA, 1000mA			
		Dual	1/2mA, 2.5/5mA, 5/10mA, 10/20mA, 15/30mA, 25/50mA, 50/100mA, 150/300mA, 250/500mA, 500/1000mA			
	D.C. AMMETER	Single	1A, 2.5A, 3A, 5A, 10A, 15A, 20A, 25A, 30A (INT. SHUNT)			
		Double	1/2A, 2.5/5A, 5/10A, 10/20A, 15/30A. (INT. SHUNT)			
	D.C. MILLIVOLTMETER	Single	10mV, 25mV, 50mV, 75mV, 100mV, 150mV, 300mV, 500mV, 1000mV			
		Dual	10/20mV, 25/50mV, 50/100mV, 75/150mV, 100/200mV, 150/300mV, 250/500mV, 500/1000mV			
		Triple	25/50/100mV, 50/100/200mV, 75/150/300mV, 150/300/600mV, 250/500/1000mV			
		Quadruple	25/50/100/200mV, 125/250/500/1000mV			
	D.C. VOLTMETER	Single	1V, 2.5V, 3V, 5V, 7.5V, 10V, 15V, 20V, 25V, 30V, 50V, 75V, 100V, 150V, 200V, 250V, 300V, 500V, 600V, 1000V			
		Dual	1/2V, 2.5/5, 5/10V, 30/60V, 50/100V, 75/150V, 100/200V, 150/300V, 250/500V, 300/600V, 500/1000V.			
		Triple	1.5/3/7.5V, 3/7.5/15V, 7.5/15/30V, 15/30/75V, 25/50/100V, 75/150/300V, 125/250/500V, 150/300/600V, 250/500/1000V			
		Quadruple	1.5/3/7.5/15V, 3/7.5/15/30V, 7.5/15/30/60V, 15/30/75/150V, 30/75/150/300V, 75/150/300/600V, 125/250/500/1000V.			
	 PORT MSSB-2	A. C. MILLI-AMMETER	Single		10mA, 50mA, 100mA, 250mA, 500mA, 1000mA	1.5%
		A.C. AMMETER.	Single		1A, 5A, 10A, 15A, 20A, 25A, 30A.	
A.C. VOLTMETER		Single	3V, 7.5V, 10V, 15V, 20V, 25V, 50V, 100V, 150V, 300V, 600V.			
		Dual	7.5/15V, 10/20V, 15/30V, 25/50V, 50/100V, 150/300V, 300/600V.			
		Triple	3/7.5/15V, 7.5/15/30V, 15/30/75V, 30/75/150, 75/150/300V, 125/250/500V, 150/300/600V.			
 PORT MSSB-3		A.C. AMMETER.	Single	0.2A, 0.5A, 1A, 2.5A, 5A, 10A, 15A, 20A, 30A, 50A, 100A.	1.0%	
	Dual		0.5/1A, 1/2A, 2.5/5A, 5/10A. & also 0.2/1A, 0.5/2.5A, 1/5A, 2/10A, 10/20A, 15/30A, 25/30A, 50/100A.			
	Triple		1/3/10A, 3/10/30A, 10/30/100A, 5/10/25A, 10/25/50A, 25/50/100A.			
	Quadruple		1/3/10/30A, 3/10/30/100A, 5/10/25/50A, 10/25/50/100A.			
	5 TH		1/3/10/30/100A, 5/10/25/50/100A.			
	A.C. VOLTMETER	Single	15V, 30V, 62.5V, 75V, 125V, 150V, 250V, 300V, 500V, 600V.			
		Dual	15/30V, 30/60V, 62.5/125V, 75/150V, 125/250V, 150/300V, 250/500V, 300/600V.			
		Triple	15/30/75V, 62.5/125/250V, 75/150/300V, 125/250/500V, 150/300/600V.			

Portable Instrument

D.C. & A.C. Ammeters & Voltmeters (Medium Size Standard in Black Engineering Plastic Housing)



MECHANICAL SPECIFICATIONS



Size	length	width	height	housing	model	Scale length	division	weight
1	250 mm	190 mm	80 mm	Black Engineering Plastic	MSSB	145 mm (approx)	60-150	1Kg (approx)

Ordering information

1) Type 2) Model 3) Scale 4) Range 5) Accuracy

