

# Portable Instrument

Multi-range & Multi-parameter ( Medium Size Multi-range in Black Engineering Plastic Housing)

DATA SHEET NO. PORT 3 / 10 / 99




## DESCRIPTION


These are Moving Coil DC, Moving Coil Rectifier type AC, Moving Iron AC ammeters & voltmeters and can be used in conjunction with transducers for measurement of frequency, power factor and low power factor wattmeter. Single phase dynamometric type of instrument is used for measurement of power at UPF.

## FEATURES / ADVANTAGES:

- ◆ Instruments with 1.0%, 1.5% accuracy class.
- ◆ Instruments with multiple scale (refer table).
- ◆ Robust housing suitable for schools, workshops, field operations for continuous use.

## ELECTRICAL SPECIFICATIONS

MODEL	TYPE	SCALE	RANGE	ACCURACY
 PORT - MSMB - 1	MOVING IRON AC VOLT-AMMETER	Quadruple	0-62.5/125/250/500V & 0-2.5/5/10/25A or 0-75/150/300/600V & 0-1/3/10/30A	1%
 PORT - MSMB - 2	MOVING COIL DC VOLT-AMMETER	Quadruple	0-0.075/15/150/600V & 0-1.5/15/75/150A (with 75mV shunt)	1.5%
 PORT - MSMB - 3	MOVING COIL DC & AC VOLTMETER	Quadruple	0-1.5 / 15 / 150 / 600V DC * 0-6 / 60 / 300 / 600V AC	1.5%
	FREQUENCY METER	Single	45-55Hz or 55-65Hz or 380-420Hz at Single Voltage - 62.5V/110V/220V/440V	1%
	POWER FACTOR METER 3-Phase- 1Element	Single	0.5 Lag-Unity-0.5Lead or 0.3 Lag-Unity-0.3 Lead at Single Voltage 110V/220V/440V & Single Current 1A/5A	2 <sup>o</sup>
	LPF WATT METER 1Phase	Dual	62.5V/125V to 300V/600V & 50mA/100mA to 5A/10A	0.5%

MODEL	TYPE	SCALE	* POTENTIAL COIL (V)	CURRENT COIL (A)	ACCURACY
 PORT - MSMB - 4	WATT METER 1Ph UPF	SPSC	75, 150, 300, 600	0.5, 1, 2, 2.5, 5, 10, 20	1.0%
		DPSC	75/150, 150/300, 300/600.		
		TPSC	75/150/300, 150/300/600.		
		SPDC	75, 150, 300, 600	0.5/1, 1/2, 2.5/5, 5/10, 10/20	
		DPDC	75/150, 150/300, 300/600.		
		TPDC	75/150/300, 150/300/600.		

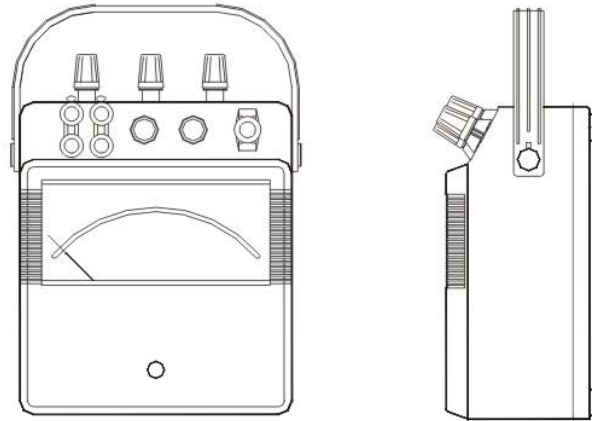
\* 62.5 / 125 / 250 / 500V INSTEAD OF 75 / 150 / 300 / 600V ON REQUEST.

# Portable Instrument

Multi-range & Multi-parameter ( Medium Size Multi-range in Black Engineering Plastic Housing)



## MECHANICAL SPECIFICATIONS



SIZE	LENGTH mm	WIDTH mm	HEIGHT mm	HOUSING MATERIAL	MODEL IDENTIFICATION	SCALE		WEIGHT kg. (Approx.)
						LENGTH mm (Approx.)	DIVISION no.	
1	250	190	80	Black Engineering Plastic	MSMB —	145	80 ~ 120	1.5

### Ordering information

Ammeter / Voltmeter

1) Type    2) Model    3) Range    4) Scale    5) Accuracy

Frequency Meter

1) Type    2) Model    3) Range    4) Voltage    5) Accuracy

Watt / PF Meter

1) Type    2) Model, Parameter, Phase & Range  
3) Operating Voltage & PTR    4) Operating Current & CTR.

